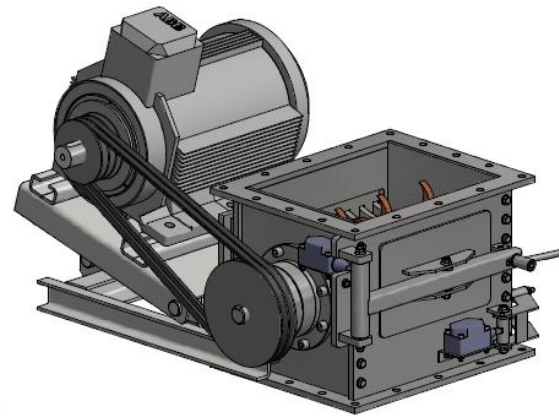
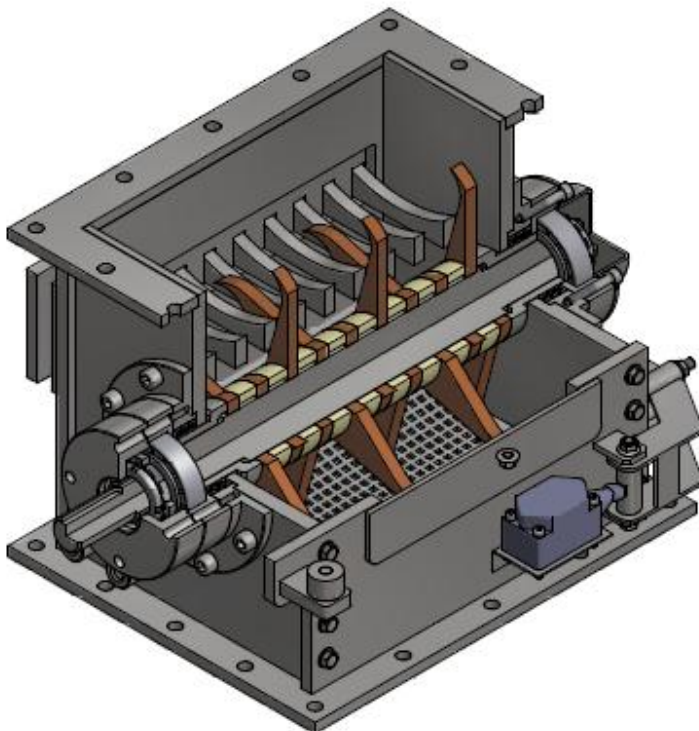
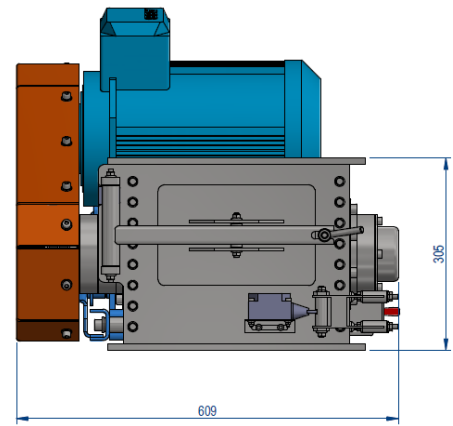
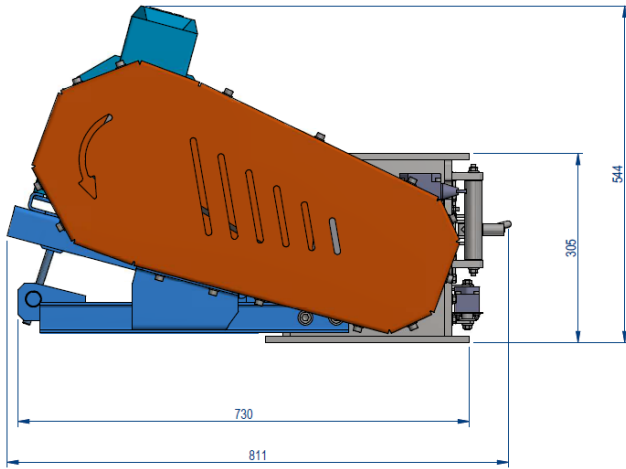
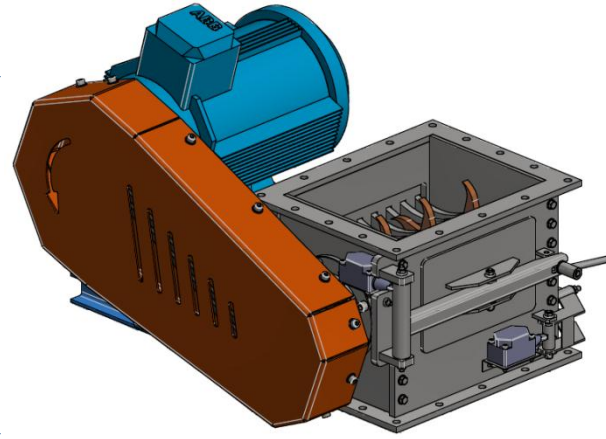
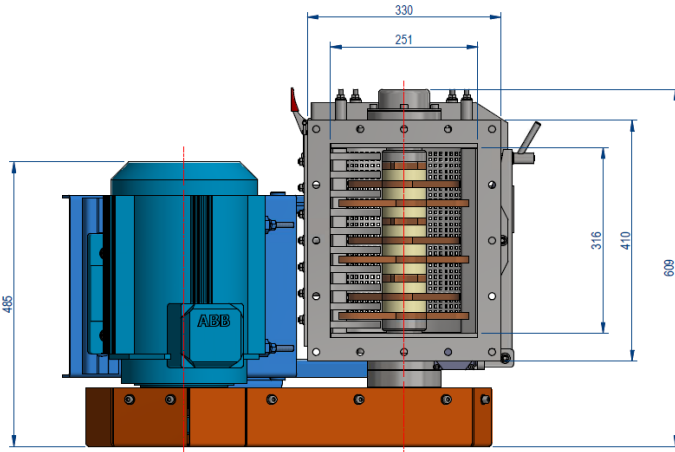


# THEREC CORPORATION LTD.

## Food Grade Lump Breaker

Bulk Material / Size Reduction Machine / Coarse Grinder





Very Easy Cleaning in all Parts, suit for Both Food & Chemical Industry Requirement

Moveable Screen / Wire mesh / Expanded Metal & Perforated Type

### A compact and robust designed ,Lump breaker and Coarse grinder / Model : TRC 1012

- Heavy duty construction with Bolted frames
- Heavy duty bearing with very large shaft size
- Replaceable blades and fingers
- Bolted removable screen with side opening door
- Food grade seal and gasket
- Totally enclosed drive guard
- Safety switch for all door opening protection
- Top safety screen on option
- Factory assembled with commissioning test report
- Material in stainless steel 304 316 and Teflon
- Finishing surface polishing ,up to requirement
- Screen size 3 mm to 50 mm
- Motor power 3.0 to 7.5 kw ,Running speed up to 600 rpm

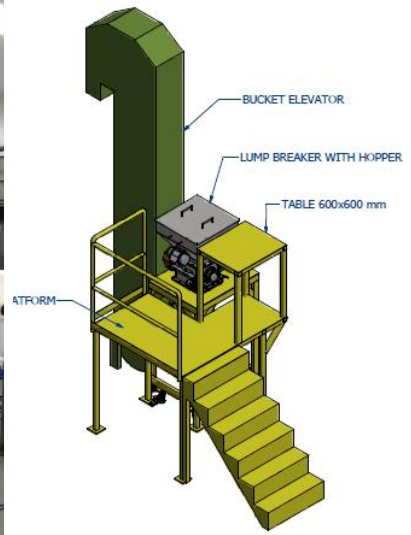
#### Optional items

- Adjustable inlet chute
- Inlet hopper and adaptor, Outlet adapter
- Small bag dumping station, with or without dust collector
- Top safety screen
- Portable support frame, with wheel
- Direct drive with shaft coupling & geared motor
- Variable speed drive
- Shaft speed monitoring / material flow switch
- Shear pin torque limiter for safety protection



Wey Protein Powder Lump breaking test at F&N Food, Ayutthaya

[www.therecorp.com](http://www.therecorp.com)



Complete station with Control panel with frequency inverter, Low loading hopper and top cover, Metal base with wheel and lockable stand, Operation platform, Bag laying table, Hand rail and Stair



Brown Sugar Powder Lump breaker, Installation & Test run at Mitr Puveing Sugar (Mitrphol Group of company), Nongrea Khonkean

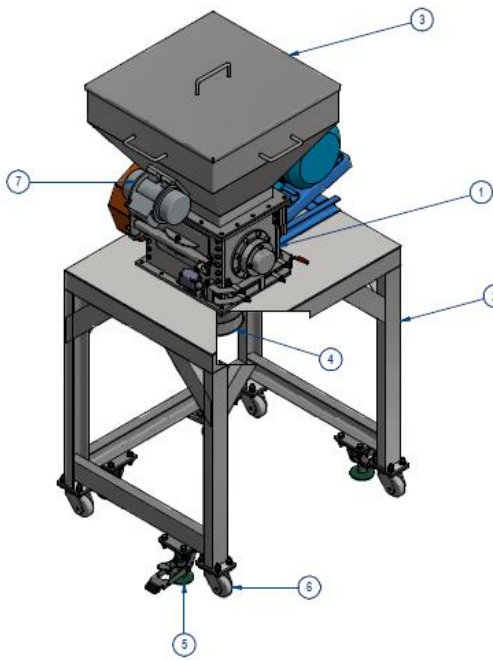
Complete line with Belt feeder, Bucket elevator, Vibrating screen, Bag filling machine and Metal detecting system



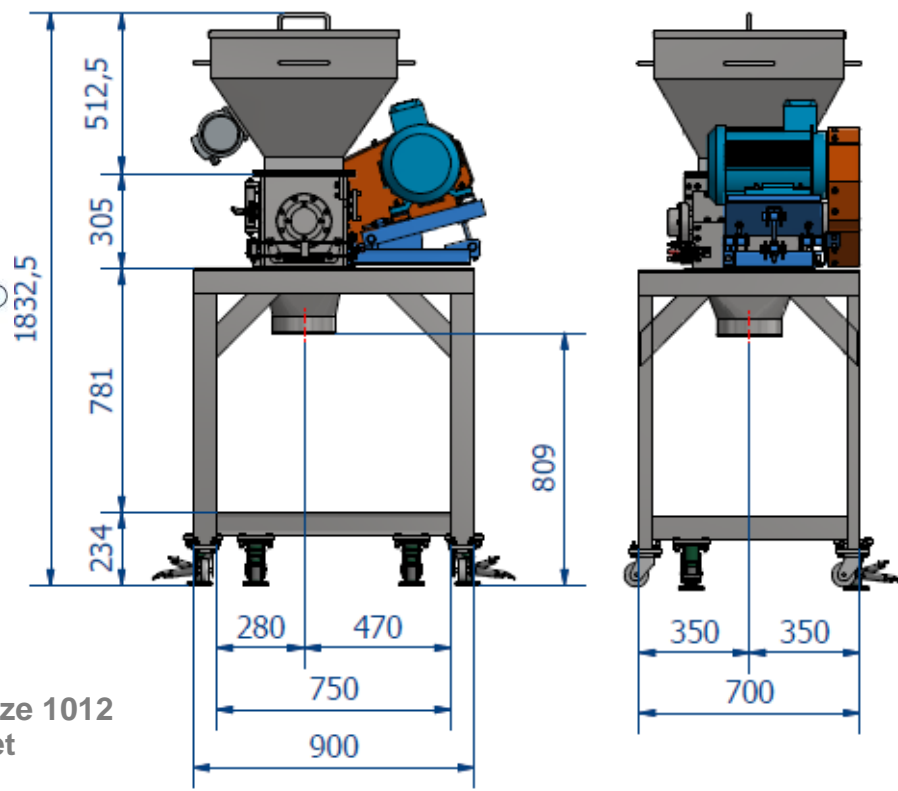
Easy Removable, Light weight design in all screens items for Cleaning and Unblocking purpose



Easy Removable, Several type designed Edge cutting finger, increasing the breaking efficiency [www.thereccorp.com](http://www.thereccorp.com)



High speed lump breaker, Size 1012  
Complete package set



Complete unit with moveable  
metal bas and loading hopper



Safety screen for low loading  
hopper



Safety switch for door  
opening protection



Adjustable motor base for belt  
tensioning



Vibrating motor for low loading  
hopper



Removable breaking finger,  
Option for cutting feature

## Pneumatic Conveying & Bulk Material Processing Equipment, Components and Machines