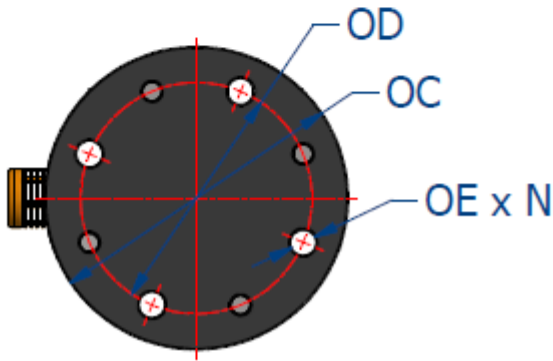
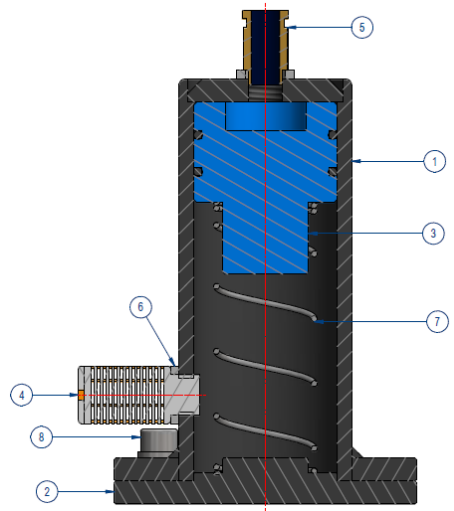
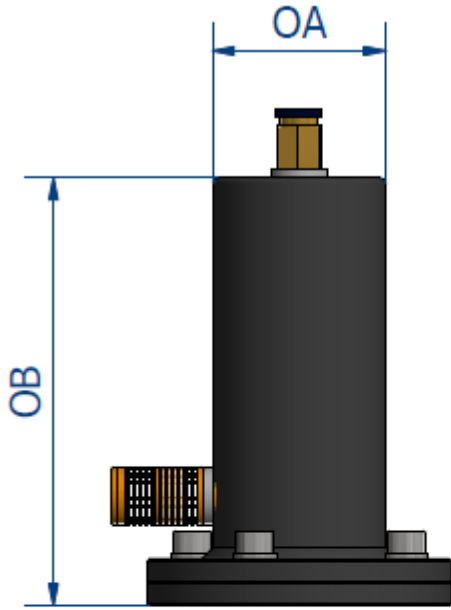


THEREC CORPORATION LTD.

Air Knocker for Powder Hopper & Silo Discharging

Product Range Overview



Dimension Table / all in millimeter (mm)

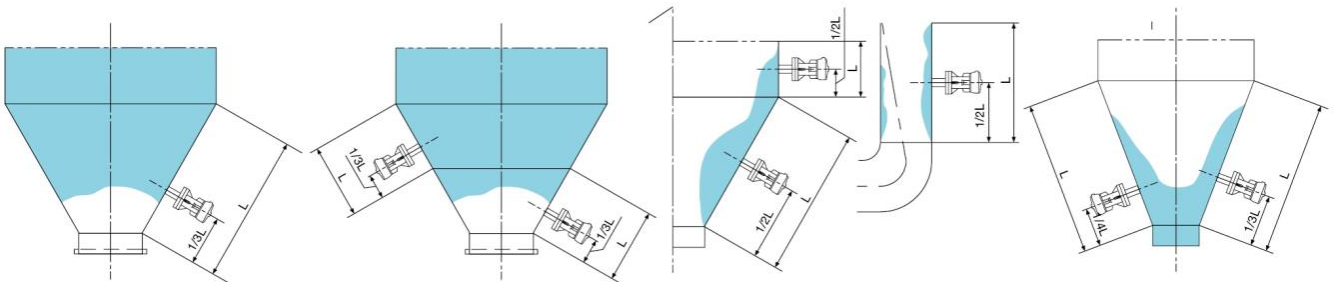
Model	OA	OB	OC	OD	OE	N	Weight (kg)
TRC 3KG	47	100	75	90	10	4	1.6
TRC 5KG	60	150	80	105	10	4	2.6

Impact force of TRC 3KG is 3 kilogram / TRC 5KG is 5 kilogram / 6.0 Bar Air Supply

AIR KNOCKER INSTALLATION GUIDE



AIR KNOCKER INSTALLATION POSITION, ON THE MATERIAL CHARACTERISTIC



AIR KNOCKER ELECTRICAL & PNEUMATIC CURCUIT

