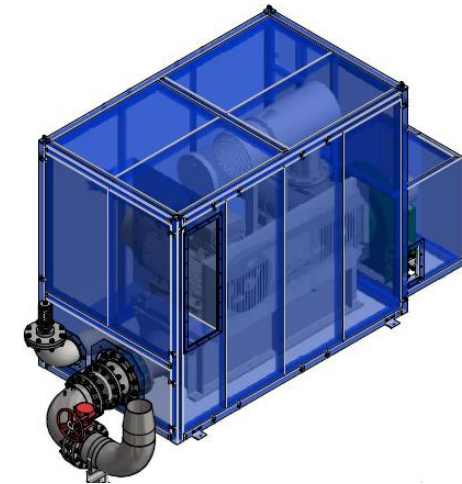
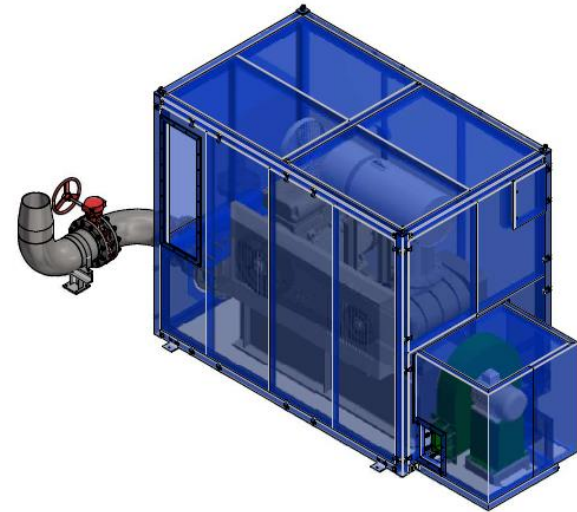
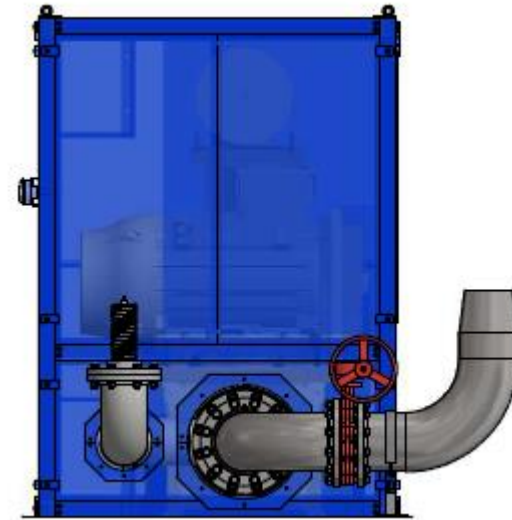
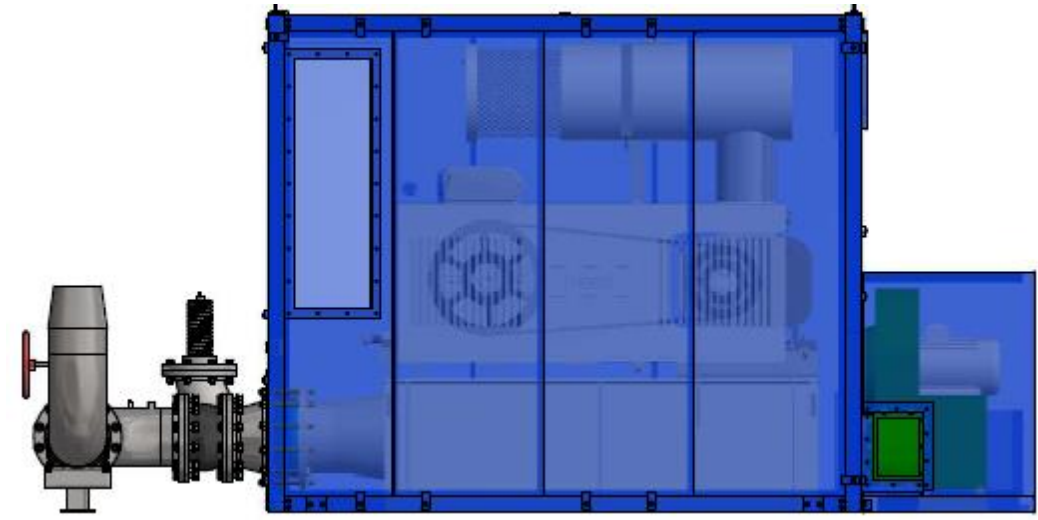
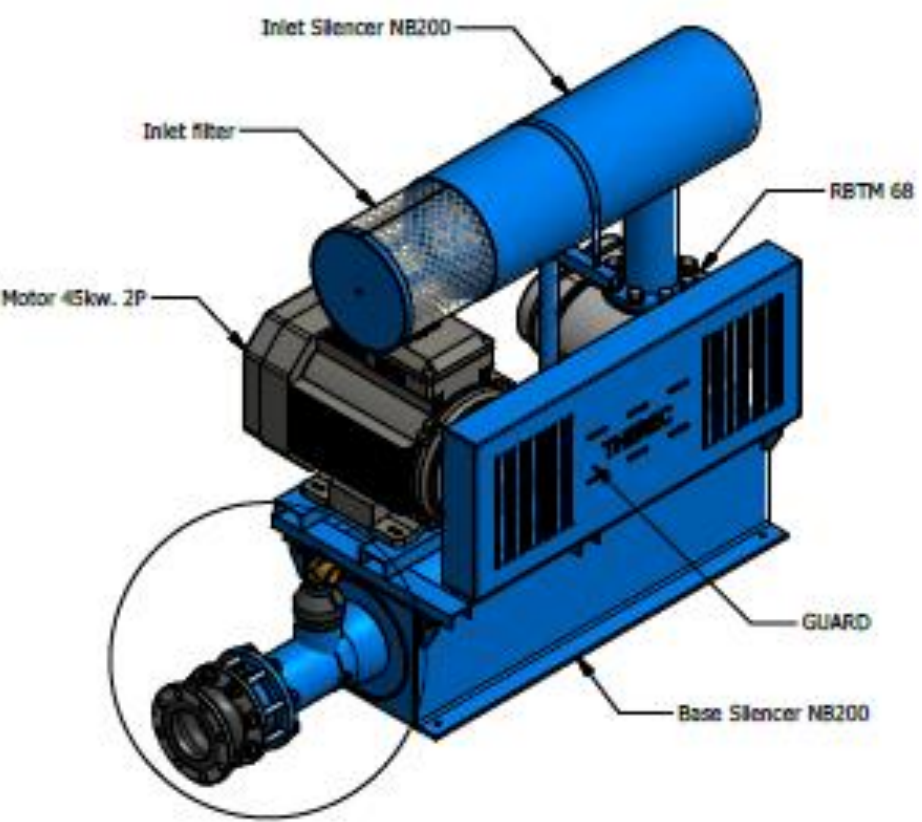
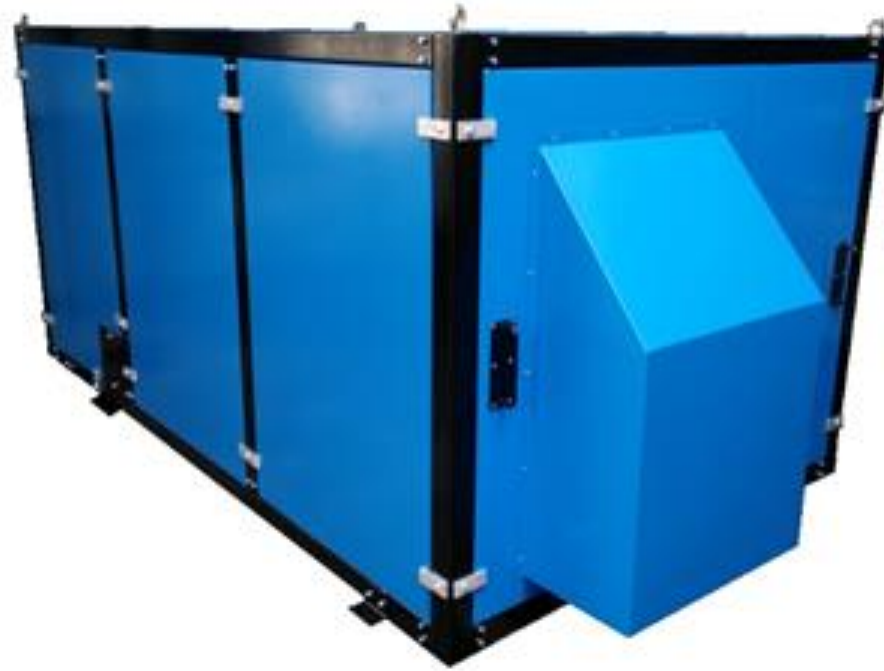


THEREC CORPORATION LTD.



Acoustic Enclosure for Roots Blower



**Various design for both
our own TRC Standard
Package and Special made
for Customer requirement**



ISOMETRIC VIEW (1 : 45)

AIR INLET

ACOUSTIC ENCLOSURE

ROOTS BLWER PACKAGE

TEMPERATURE GAUGE

PRESSURE RELIEF VALVE

SWING CHECK VALVE 12 INCH

REDUCER 12 x 10 INCH

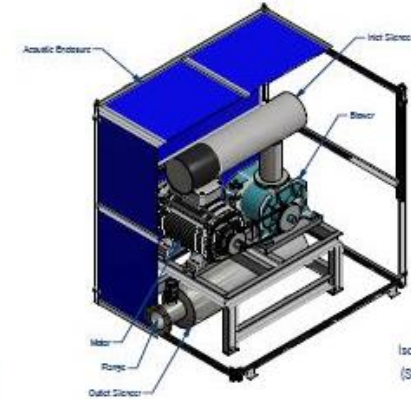
FLEXIBLE 10 INCH

PRESSURE TRANSMITTER

ELBOW 10 INCH

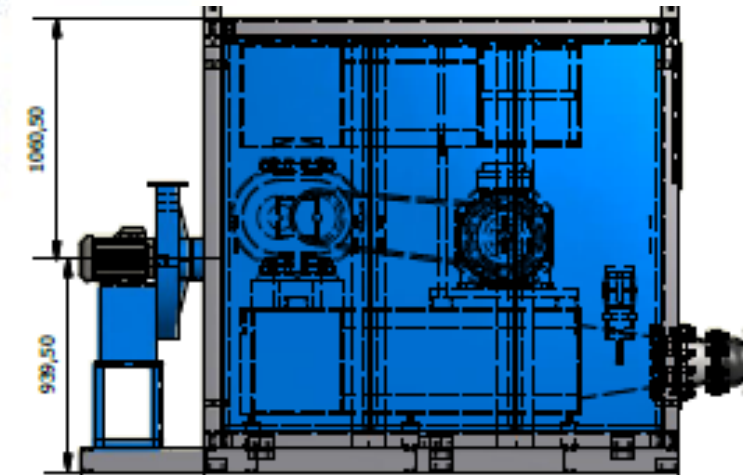
BUTTERFLY VALVE 10 INCH

ELBOW 10 INCH

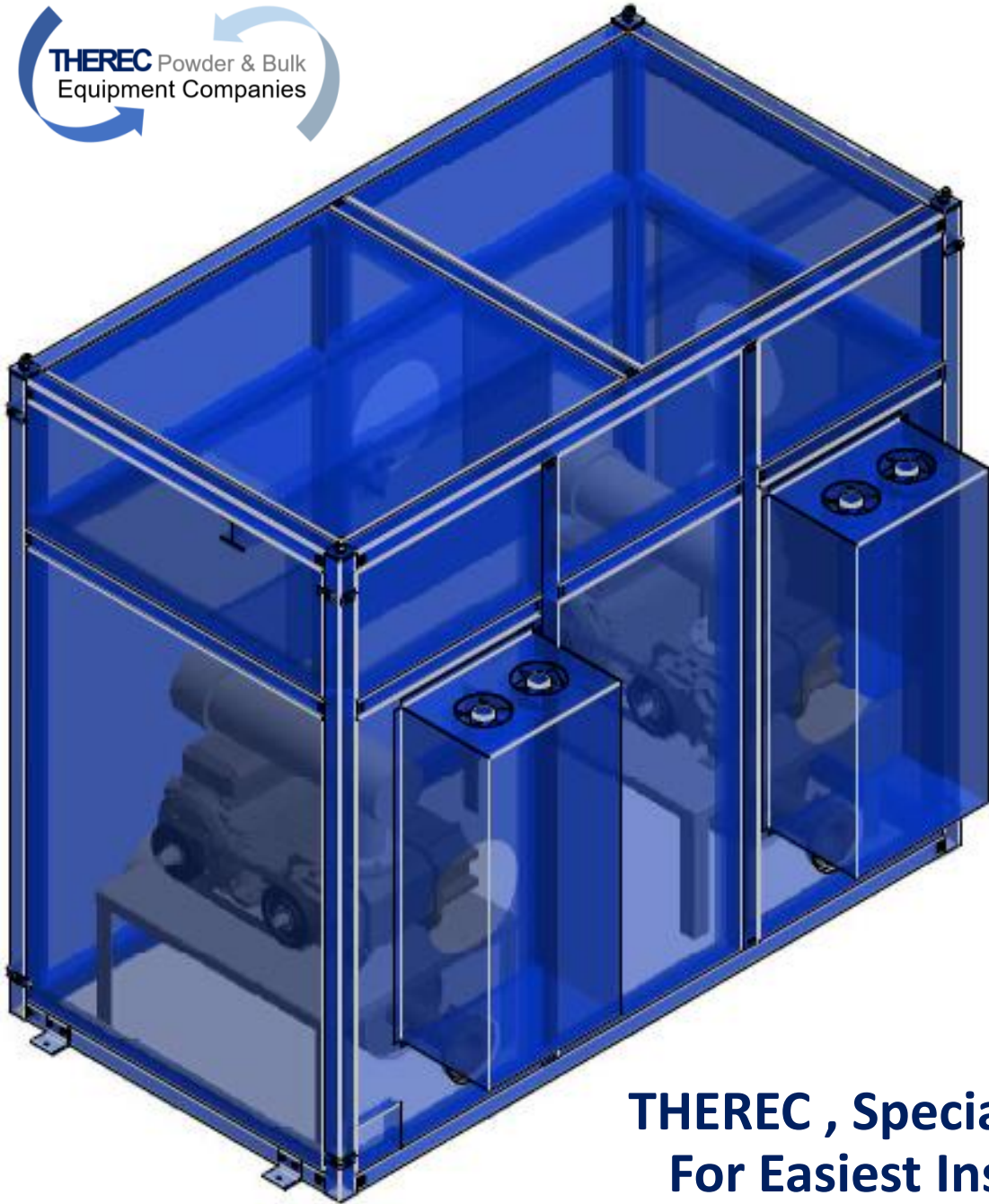


Isometric View
(Scale 1 : 35)

AIR OUTLET

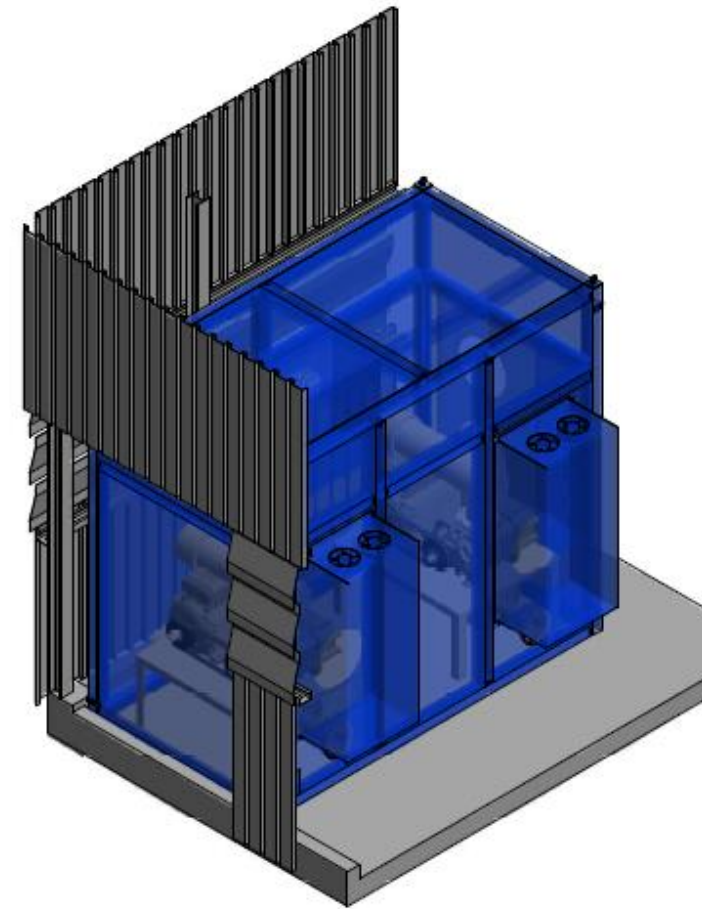


Acoustic Enclosure with ventilation system to control the inner temperature at the 40 degree C level



**THEREC , Special Design Acoustic Enclosure.
For Easiest Installation and Maintenance**

Pneumatic Conveying Application

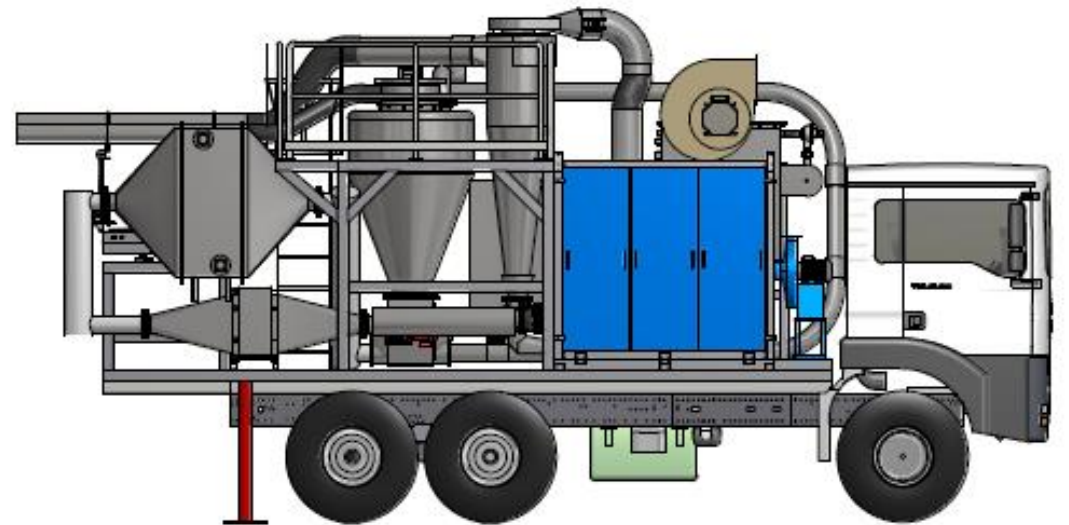


**Grand Siam Composit Co., Ltd.
Nikom Pattana Plant 2021
/ Baratti Blower
& Ito Blower
2 blowers in one Enclosure**



Pneumatic Conveying Application

Thai Plastic & Chemical (Public) Co., Ltd.,
Marb Ta Pud Plant 2012 / Dresser Roots Blower





Pneumatic Conveying Application



The Siam Cement (Public) Co., Ltd., Tha-luang Plant 2015 /
Dresser Roots Blower



**Thai Plastic & Chemical (Public) Co., Ltd.,
Marb Ta Pud Plant 2015 / Ito Blower**

Pneumatic Conveying Application



Pneumatic Conveying Application



Thai Polyethylene (Public) Co., Ltd.,
Nikom Pattana Plant (Site 7) 2009
/ Dresser Roots Blower



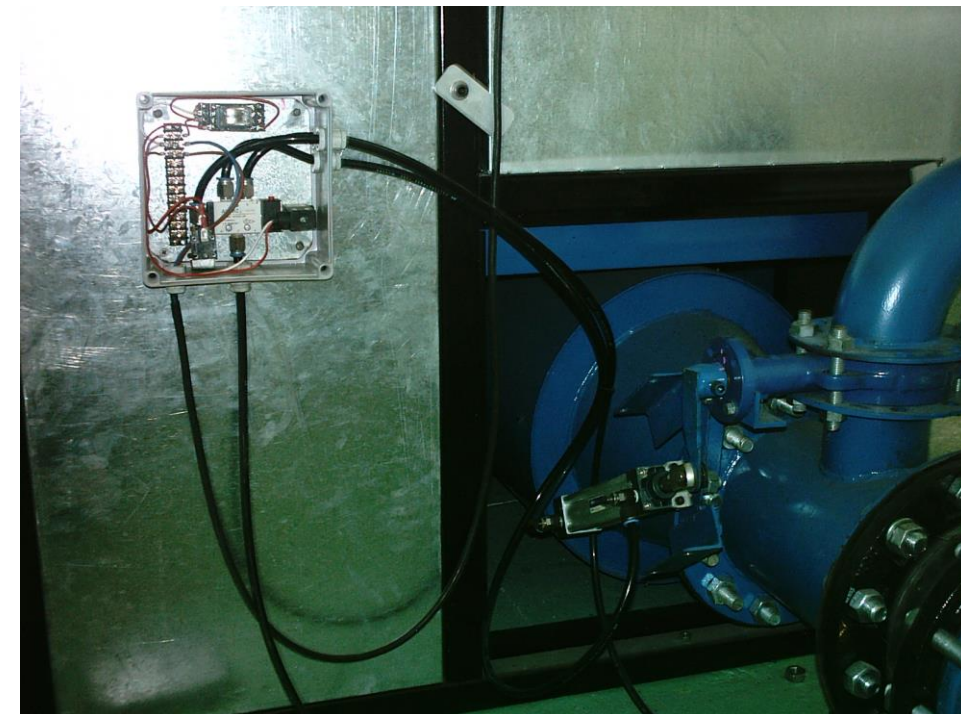
**Nawa Plastic Co., Ltd., Saraburi Plant 2011
/ Dresser Roots Blower**

Pneumatic Conveying Application



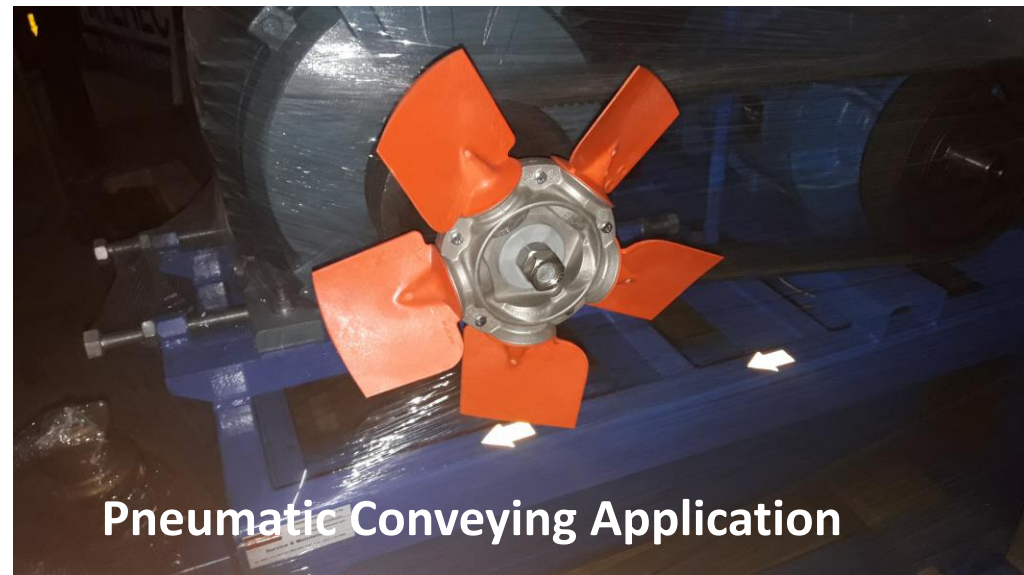
**Thai Film (Public) Co., Ltd.,
Nikom Pattana Plant 2003
/ Dresser Roots Blower
(Galvanized steel sheet + Epoxy Paint
Carbon steel frame)**

Pneumatic Conveying Application





**Mitr Phol Co., Ltd., Pukeaw Chaiyapoom Plant 2016
/ Dresser Roots Blower**

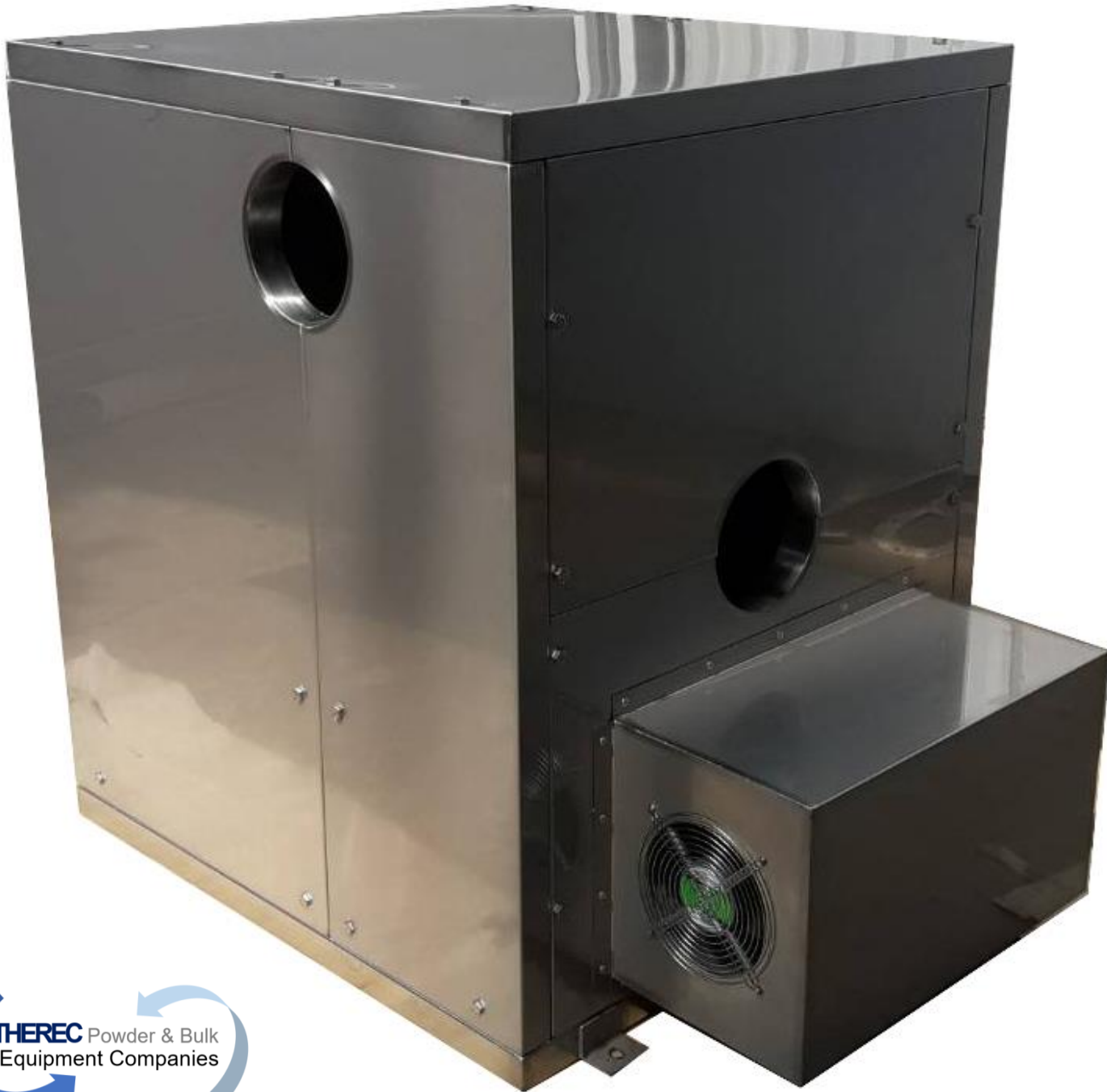


Pneumatic Conveying Application



**Union Frozen Product Co., Ltd., Samuthsakorn Plant 2014
/ Dresser Roots Blower
(Galvanized steel sheet + Hot dip galvanized frame)**





**Newly Wet Food Co., Ltd., Samuthprakarn
Plant 2016 / Centrifugal Blower
(Stainless Steel Sheet Body & Frame)**

Ventilation Application



Pneumatic Conveying Application

**Lion Corpostaion (Thailand)., Ltd., Cholburi 2008
/ Tuthill Blower**





Sritrang Agro Industry Co., Ltd., Krabi Plant 2015 / Ito Blower

Waste Water Treatment Application

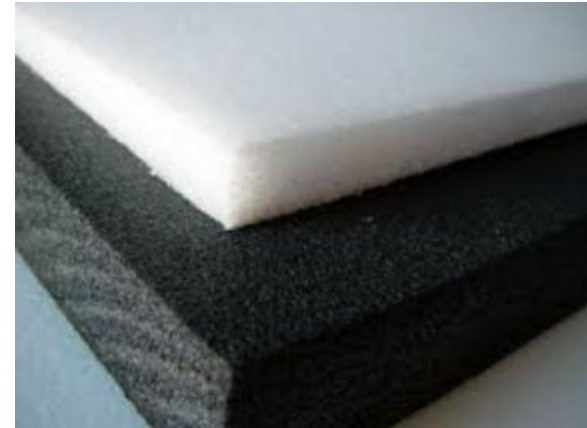


THEREC Powder & Bulk
Equipment Companies





Specification. * Sound reduced around 10-15 dB *
Material for making on request . - Carbon Steel Sheet -
Galvanized Sheet , - Stainless Steel Sheet (SUS304) *
Insulator - ROCKWOOL - FOAM



SOUND LEVEL METER



LASER THERMOMETER



THERMOMETER



Positive displacement / Roots Blower



THE ORIGINAL ROOTS BLOWER FROM USA

