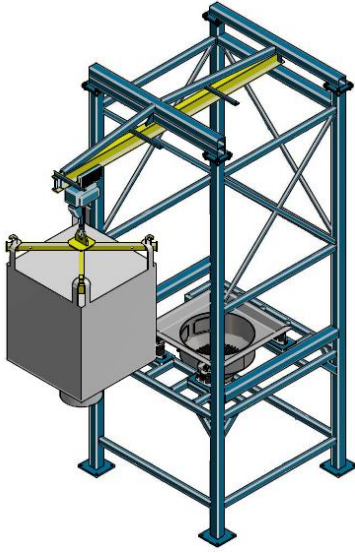
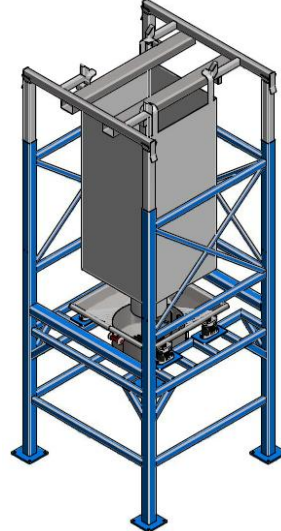
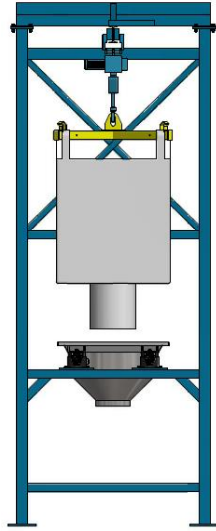


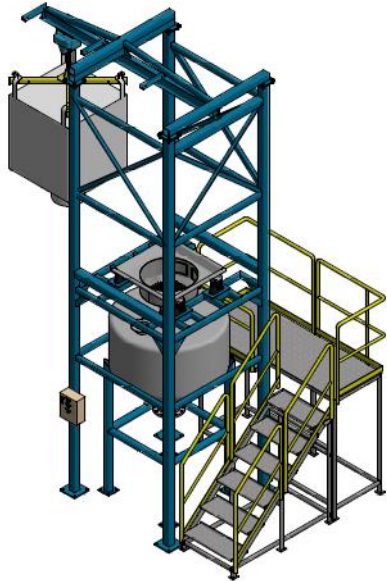
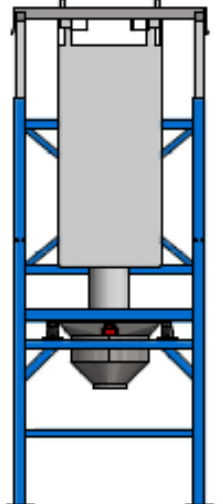
Dust Free Bulk Materials Bags Unloading Stations



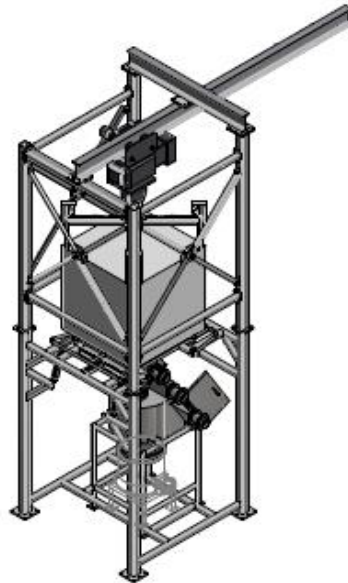
Big Bag Unloading Station / Electrical Hoist



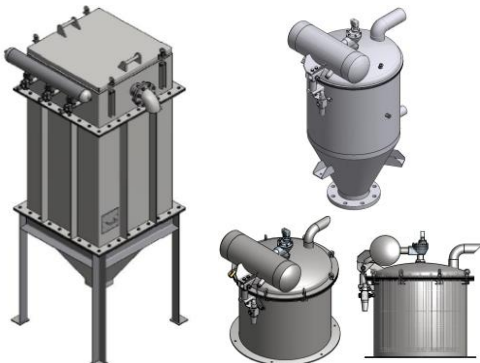
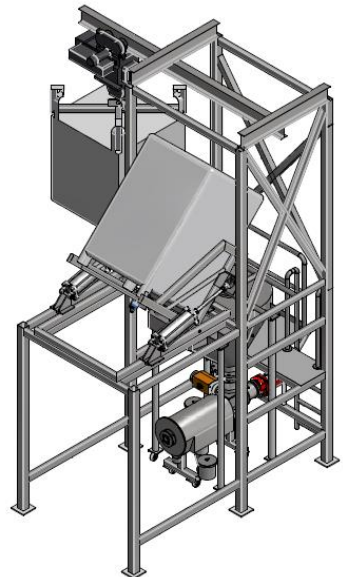
Big Bag Unloading Station / Fork Lift



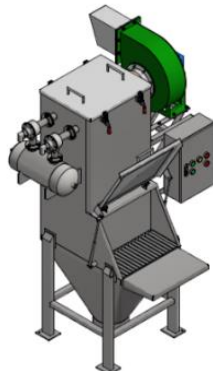
Big Bag Unloading Station with Buffer Tank & Operation Platform



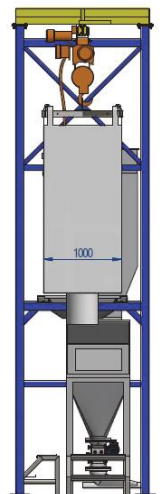
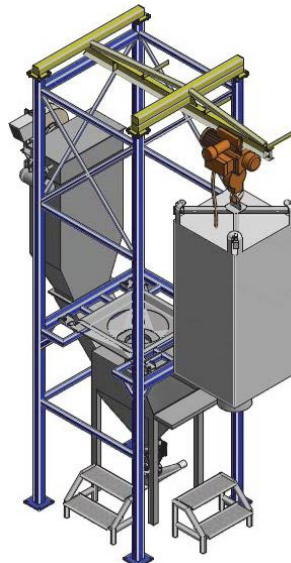
Special Design Big Bag Unloading Station



Dust Control Bag Filter



Bag Dumping Station



Big Bag Unlading Station Type A



Big Bag Unloading Station Type TRC 1.5T-AH-BBU

- Standard normal structure with monorail hoist and bag hanging device , suit with any big bag sizes and non limited height cases
- Big bag normal support base hopper flat to 70 degree angle on the vibration pad with or without vibrator or air knocker and bag opening window
- With full-docking for dust free operation and safety purpose in case of toxic dust
- Iris Valve option for bag changing before 100% emptying



Big Bag Unloading Station Type TRC 1.5T-AF-BBU

- Low loadings structure with integrated balancing spring and fork lift holder , for limited height cases for fork lift (or for the building traveling crane)
- Big bag 45 to 70 degree support base with support spring & vibrating motor

Big Bag Unlading Station Type B



Big Bag Unlading Station Type TRC 1.5T-BH-BBU

- Standard normal structure with monorail hoist and bag hanging device , suit with any big bag sizes and non limited height cases
- Big bag normal support base hopper flat to 70 degree angle on the vibration pad with or without vibrator or air knocker and bag opening window
- With semi-docking for dust reduction operation and environmental friendly
- Iris Valve option for bag changing before 100% emptying



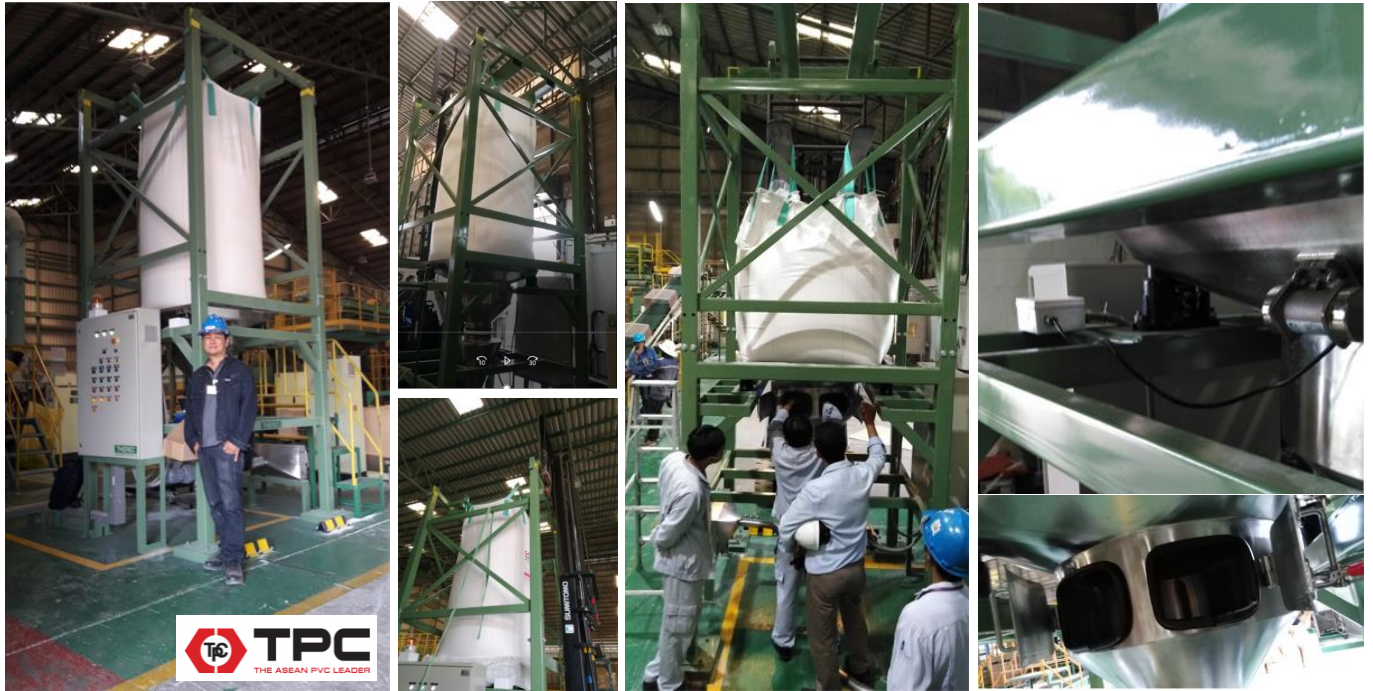
Big Bag Unlading Station Type TRC 1.5T-BF-BBU

- Low loadings structure with integrated balancing spring and fork lift holder , for limited height cases for fork lift (or for the building traveling crane)
- Big bag 45 to 70 degree support base with support spring & vibrating motor

Standard Design Big Bag Unlading Station



Big Bag Unloading Station Type TRC 1.5T-XH-BBU



Big Bag Unloading Station Type TRC 1.5T-XF-BBU

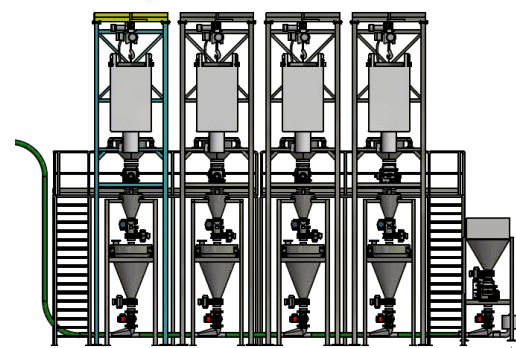
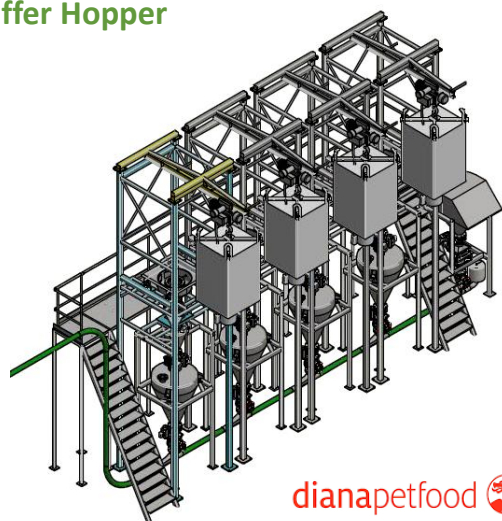


Full Docking Option for 99.9% Dust free Operation

Standard Design Big Bag Unlading Station



Big Bag Unloading Station Type TRC 1.5T-BH-BBU / with Buffer Hopper



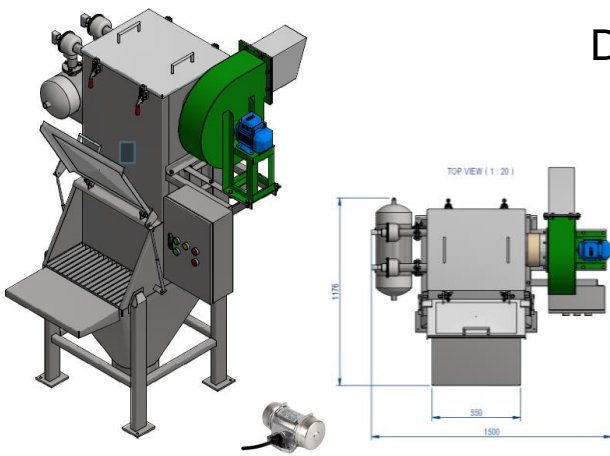
Big Bag Unloading Station Type TRC 1.5T-BH-BBU / with Lump Breaker & Weighting System



Base Hopper with Semi-Docking Option for Safe & Clean Operation

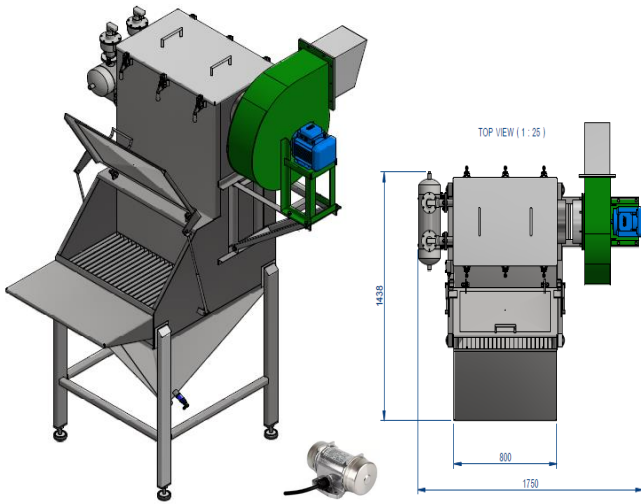
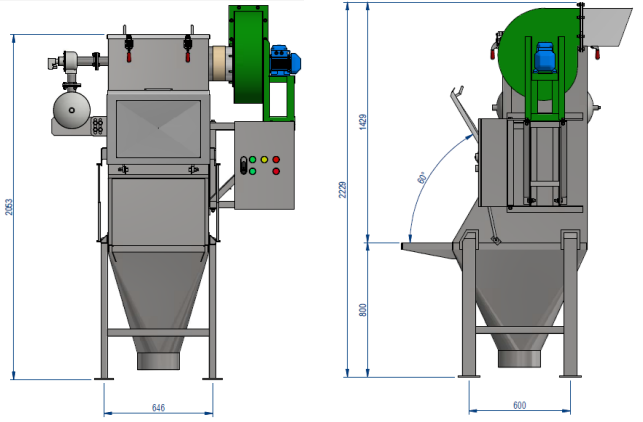
www.thereceng.com

Dust Free Small Bag Unlading Station



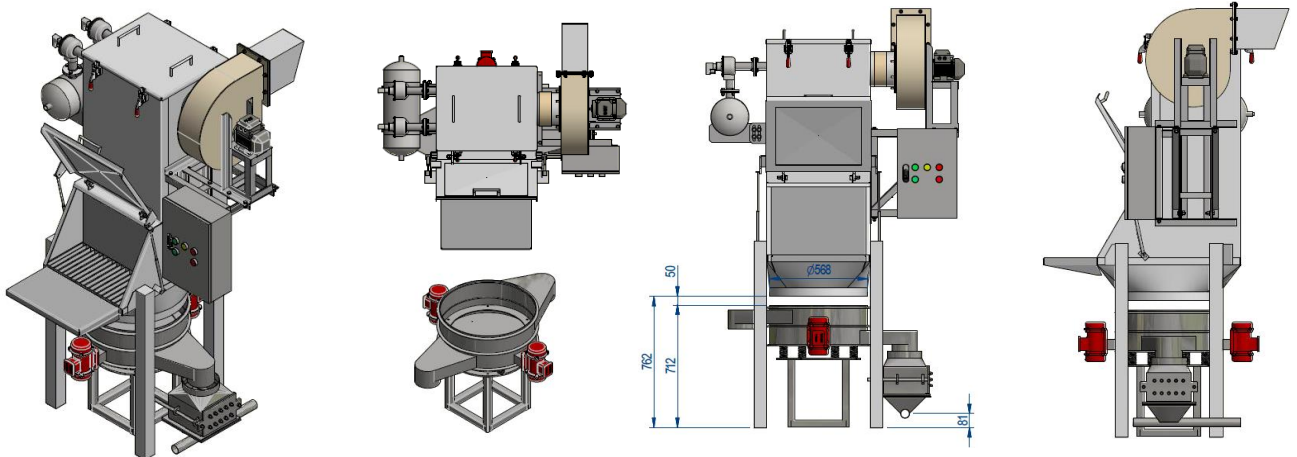
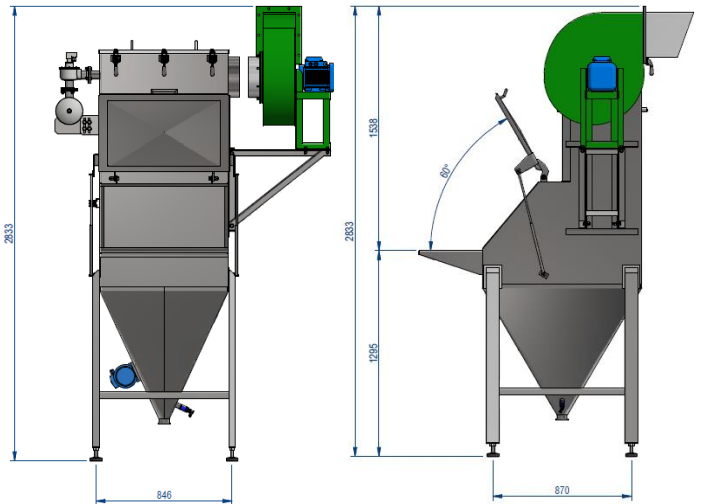
Small Bag Unloading Station Type TRC 550-120 L

- Standard normal structure with 550 mm width bag dumping opening, suit with 25 kg bag
- 120 liter storage volume ,on pyramid shape buffer hopper, with very steep cone angle of 70 degree
- With, Dust control bag filter set / Automatic jet pulse air cleaning system / Large air tank and Over size centrifugal dust collecting blower to ensure the best pollution control efficiency
- Stainless steel motor vibrator to ensure the emptying of the buffer hopper



Small Bag Unloading Station Type TRC 800-300L

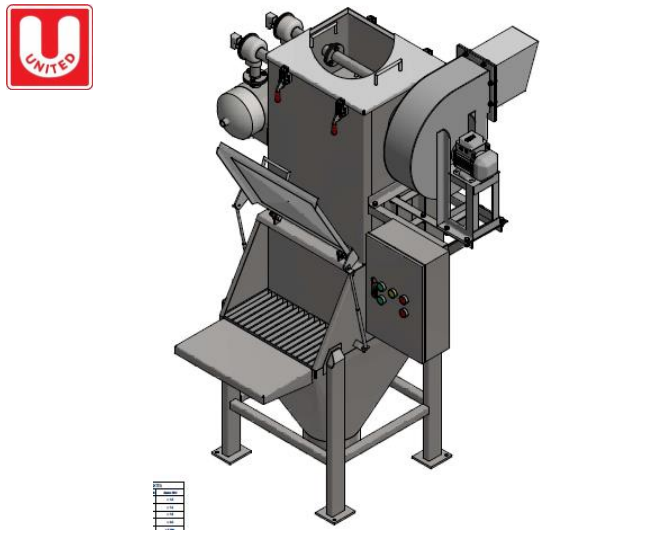
- Standard normal structure with 800 mm width bag dumping opening, suit with 50 kg bag, 300 liter volume



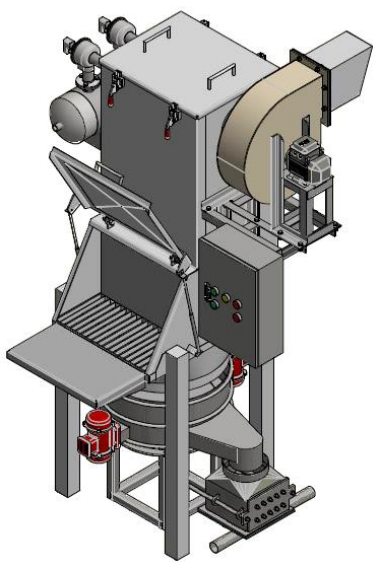
Small Bag Unloading Station Type TRC 550 / Special Arrangement

- Standard normal structure with 550 mm with Vibration screen, Magnetic separator & Damper valve

Special Design Small Bag Unloading Station



TRC 550 – 120 L / Small Bag Unloading Station



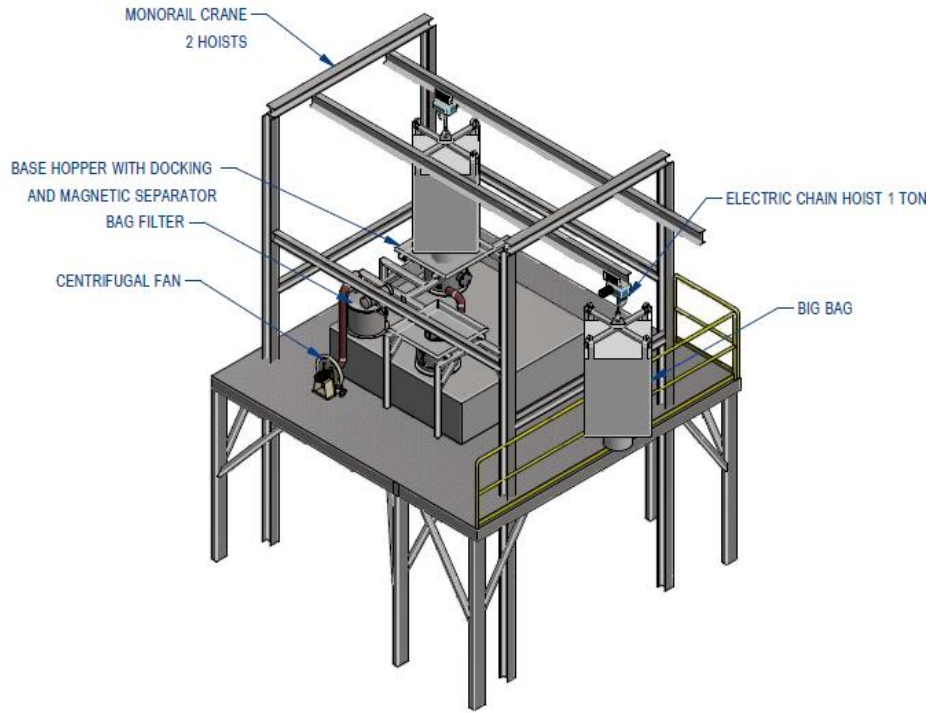
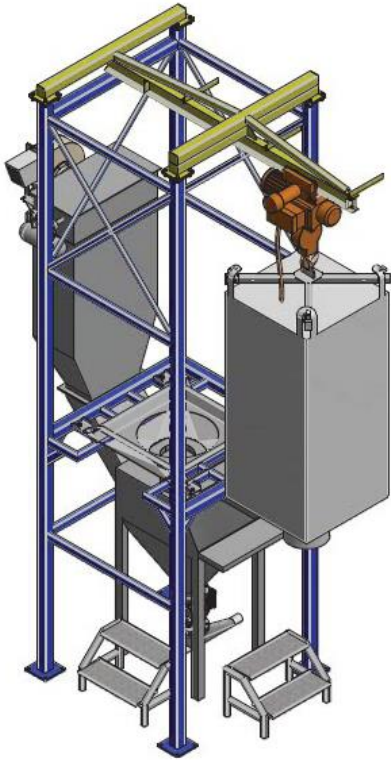
TRC 550 / Special Arrangement
Small Bag Unloading Station



Many more option on request



Special Design Bulk Material Bag Unloading Station



**Special Design / Monorail Hoist
Big Bag & Small Bag Unloading
Station**

**Special Design / Monorail Hoist
Big Bag Unloading Station / Installed onto the normal opened hopper
With Food grade Compact Bag filter set for Dust Free Operation**



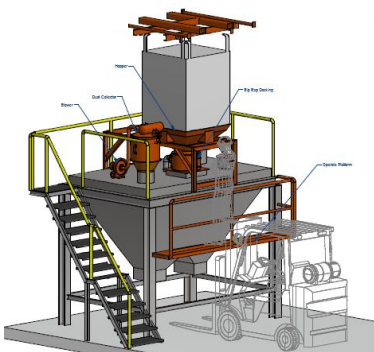
**Special Design / Fork Lift
Big Bag Repacking Station**



**Special Design / Fork Lift
Big Bag Unloading Station**



**Special Design / Monorail Hoist
Big Bag Unloading Station**

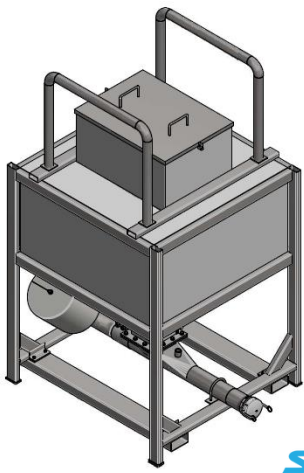


**Special Design / Fork Lift
Big Bag Unloading Station / Installed onto the normal opened hopper
With Food grade Compact Bag filter set for Dust Free Operation**

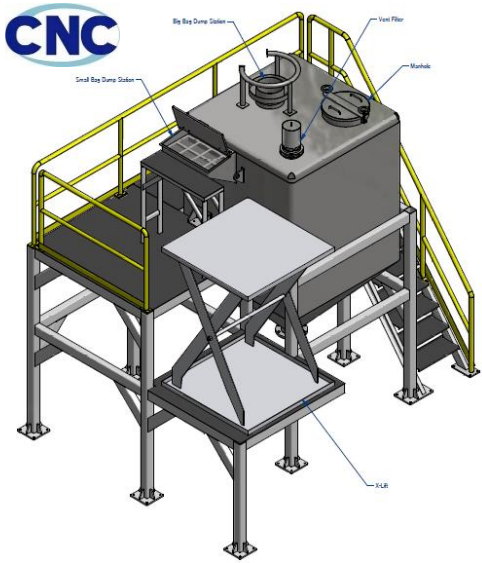
Many more option on request



Special Design Bulk Material Bag Unloading Station



Special Design / Fork Lift
Big Bag & Small Bag Unloading Station



Special Design / Factory Crane
Big Bag & Small Bag Unloading Station



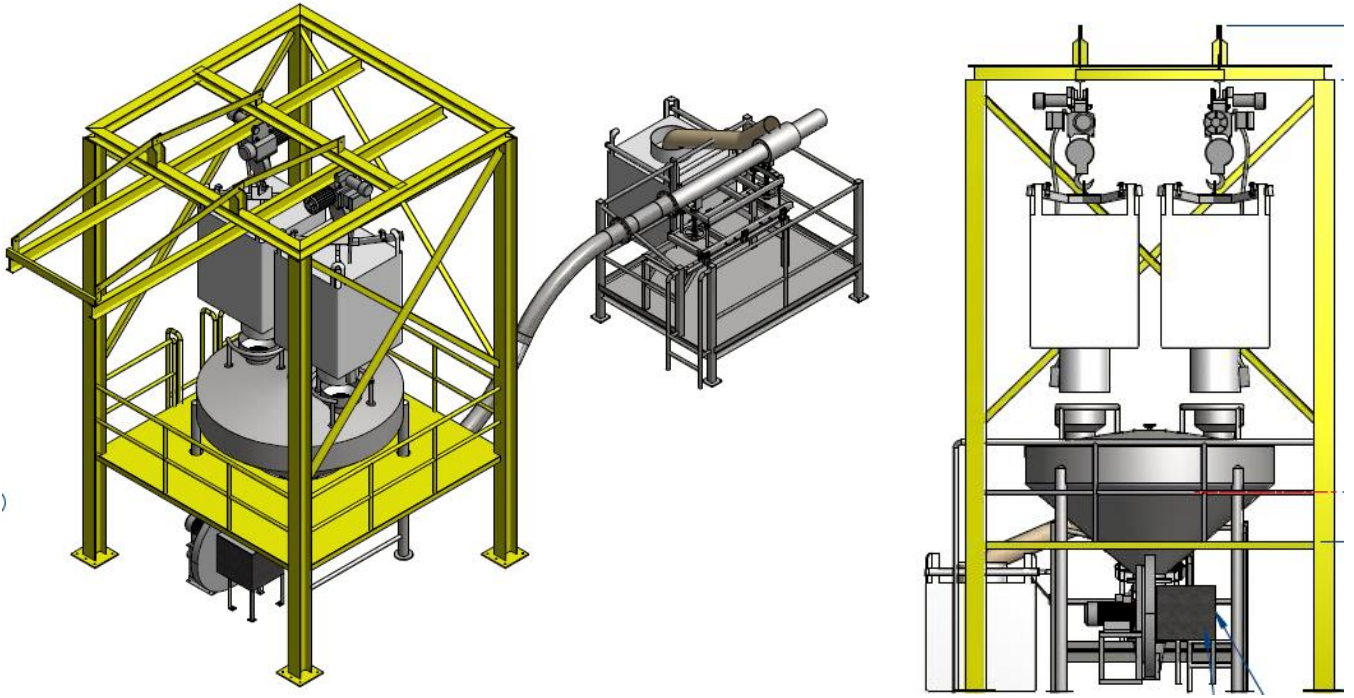
Special Design / Monorail Hoist
Big Bag & Tote Bin Unloading Station



Many more option on request



Bulk Bag Unloading Station for Bulk Container and Bulk Truck Loading

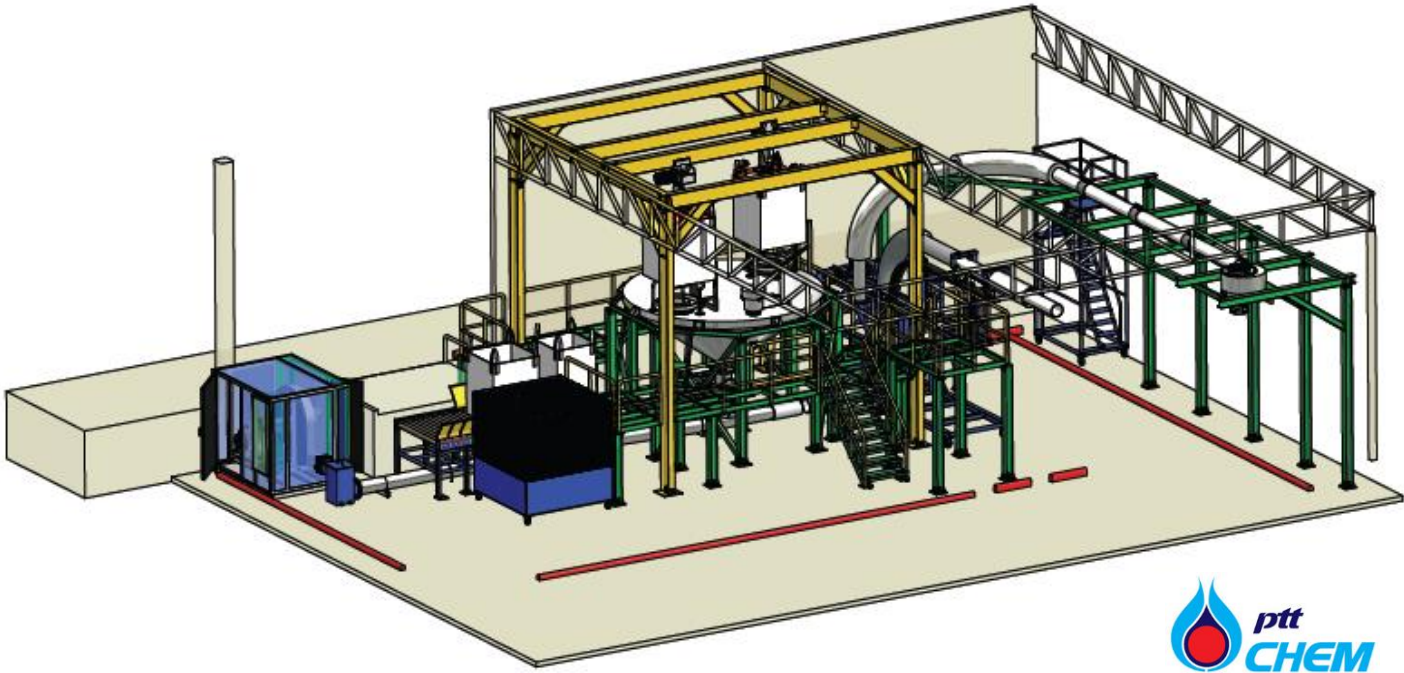


High Capacity Design for Unloading of 27 bags / hr



Special Design / with 2 Monorail Hoist and Extra large buffer hopper of 4,000 liter

Bulk Bag Unloading Station for Bulk Container and Bulk Truck Loading



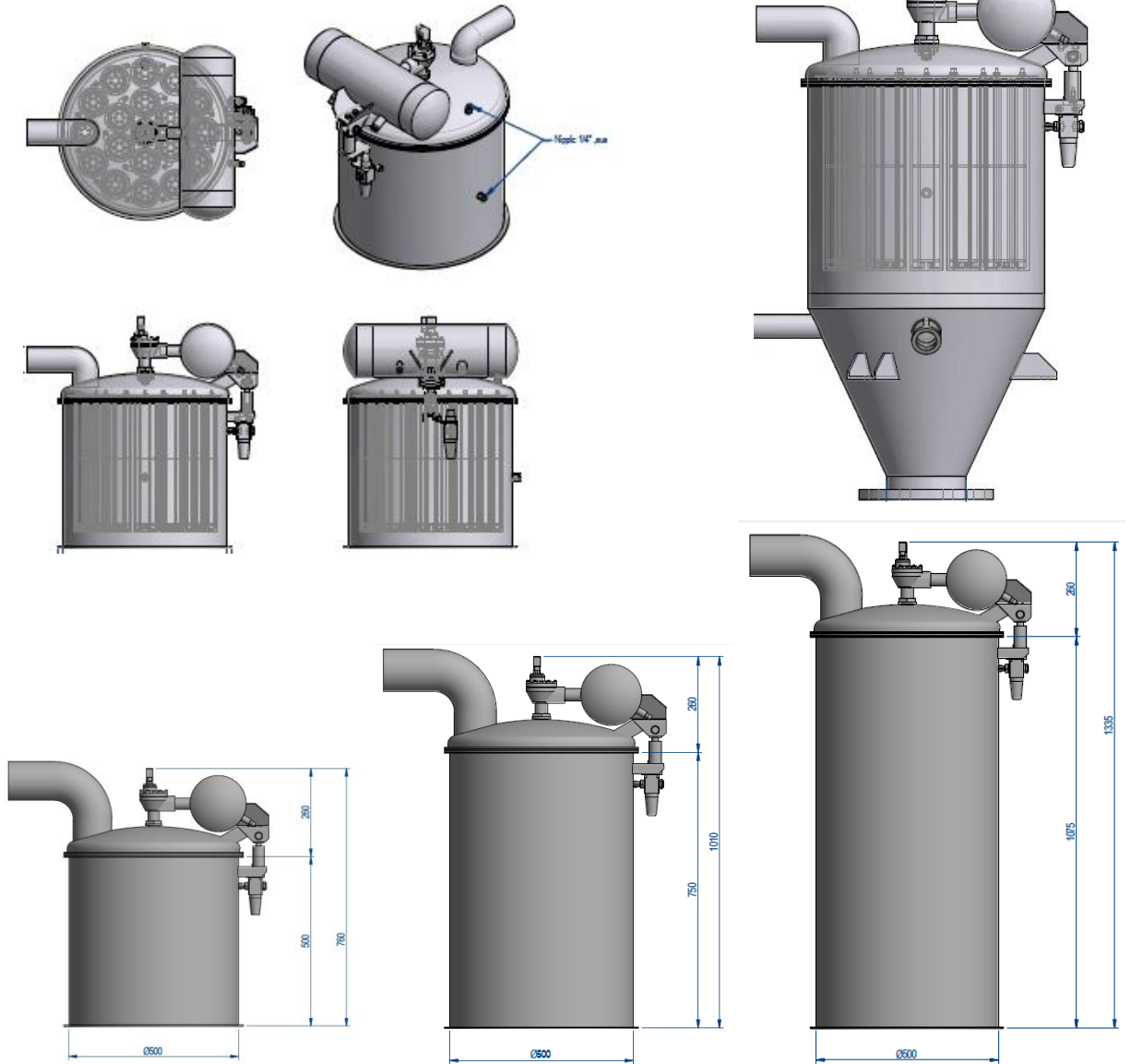
Extra High Capacity Design for Unloading of 34 bags / hr
with Automatic Feed In Roller conveyor



Special Design / with 2 Monorail Hoist and Extra large buffer hopper of 4,000 liter

BULK MATERIAL PROCESSING MACHINE

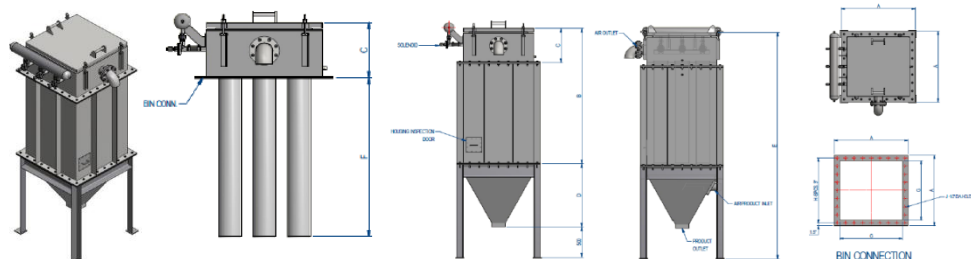
Standard (Food Grade) Cylindrical Housing Bag filter



Standard Square Housing Bag filter

Specifications

MODEL	CLOTH AREA (sq.m)	NO. TOP DOORS	OVERALL DIMENSIONS									COMPRESSED AIR REQUIRED @ 90 PSIG(SCFM)	FILTER APPROX. WT.(kg)	BIN VENT APPROX. WT.(kg)
			A	B	C	D	E	F	G	H	J			
VM6-9	2	1	0.95	1	0.4	0.75	2.13	0.6	0.8	8	32	2	1.1	-
VM9-9	4	1	0.95	1.3	0.4	0.75	2.43	0.9	0.8	8	32	2	2.2	-
VM12-9	5	1	0.95	1.6	0.4	0.75	2.73	1.2	0.8	8	32	2	2.75	-
VM9-16	7	1	1.2	1.5	0.45	0.8	2.85	0.9	1.04	9	36	3	3.85	-
VM12-16	9	1	1.2	1.7	0.45	0.8	3.05	1.2	1.04	9	36	3	4.95	-
VM15-16	12	1	1.2	2	0.45	0.8	3.35	1.5	1.04	9	36	3	6.6	-
VM18-16	14	1	1.2	2.3	0.45	0.8	3.65	1.8	1.04	9	36	3	7.7	-



บริษัท เทอร์เควค เอ็นจิเนียริง แอนด์ คอนซัลติง จำกัด

THEREC

THEREC ENGINEERING & CONSULTING CO.,LTD.

Therec Engineering & Consulting Co, Ltd. www.thereceng.com

Tel (662) 893 9003-4 (5 lines)

Fax : (662) 893 9005 ,893 9178