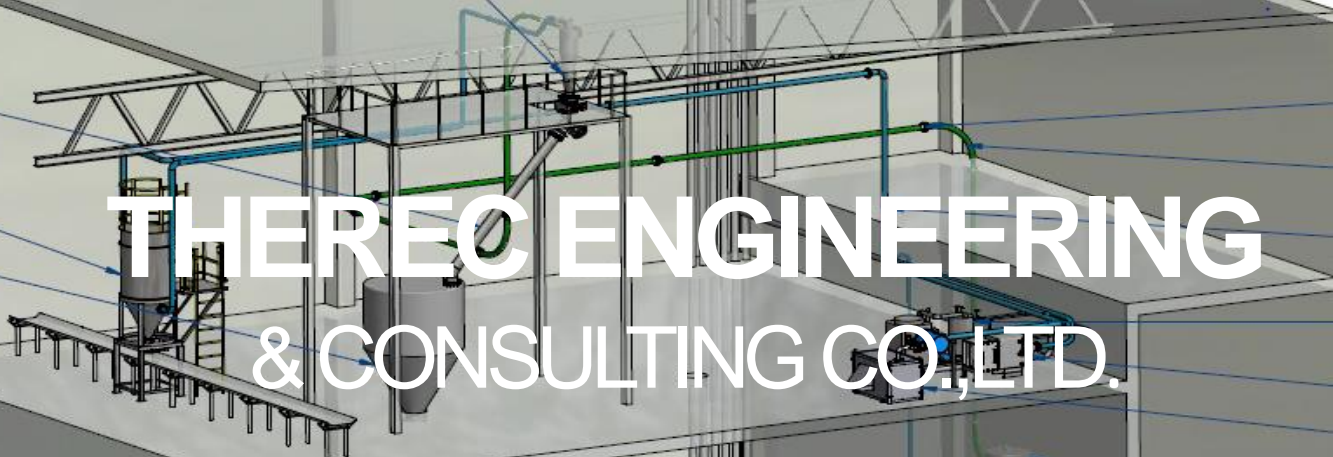


Wheat Powder Processing & Wheat Flours Handling



THEREC ENGINEERING & CONSULTING CO.,LTD.

THEREC PROCESSING MACHINE CO.,LTD

Designer of Material handling System & Manufacturing Process for **Wheat Flour**



Manufacturer & Importer of **Sugar Processing** Machines, Equipment & Components



www.thereceng.com

Therec Engineering & Consulting Co, Ltd.

Tel (662) 893 9003-4 (5 lines)

Fax : (662) 893 9005 ,893 9178

88 Soi Karnjanapisek 4/2 Karnjanapisek Rd. Bangbon Bangkok 10150 Thailand

Sugar Processing TRE&C 01 / 2018

Wheat & Flour Loading & Unloading Systems

Flour Pneumatic Conveying Systems ,Bulk truck loading system

Air cooling & Air Drying system for **Moisture** control

Wheat Flour Dust Explosion Protection Systems

Flour Weighing, Grinding and Mixing Systems

Wheat & Flour unloading and filling system

Computerized Automatic & SCADA control system

Wheat Flour Storage Silos feeding system / in & out
Wheat Flour Big Bag Unloading system / into process
Wheat Flour Weighing and Mixing system

DO NOT SCALE DIMENSIONS. DO NOT COPY AND REPRODUCE WITHOUT PERMISSION.	STANDARD FEATURES UNLESS OTHERWISE STATED. ALL DIMENSIONS IN METRES, REMOVE ALL BURRS, BREAK ALL SHARP EDGES, LAMP WELDING, SPARKS ARE TO BE AWAY, SCREW THREADS: ISO METRIC, COARSE METRIC TO ISO METRIC, TOLERANCES ARE TO BS 2088.	PROJECT : WAN THAI FOOD	EQUIPMENT ITEM #
--	---	-------------------------	------------------

EQUIPMENT LIST

ITEM #	DESCRIPTION	QTY
01	WEIGHING SCALE	1
02	CONVEYOR	1
03	FEEDER	1
04	WEIGHING SCALE	1
05	CONVEYOR	1
06	FEEDER	1
07	WEIGHING SCALE	1
08	CONVEYOR	1
09	FEEDER	1
10	WEIGHING SCALE	1
11	CONVEYOR	1
12	FEEDER	1
13	WEIGHING SCALE	1
14	CONVEYOR	1
15	FEEDER	1
16	WEIGHING SCALE	1
17	CONVEYOR	1
18	FEEDER	1
19	WEIGHING SCALE	1
20	CONVEYOR	1
21	FEEDER	1
22	WEIGHING SCALE	1
23	CONVEYOR	1
24	FEEDER	1
25	WEIGHING SCALE	1
26	CONVEYOR	1
27	FEEDER	1
28	WEIGHING SCALE	1
29	CONVEYOR	1
30	FEEDER	1
31	WEIGHING SCALE	1
32	CONVEYOR	1
33	FEEDER	1
34	WEIGHING SCALE	1
35	CONVEYOR	1
36	FEEDER	1
37	WEIGHING SCALE	1
38	CONVEYOR	1
39	FEEDER	1
40	WEIGHING SCALE	1
41	CONVEYOR	1
42	FEEDER	1
43	WEIGHING SCALE	1
44	CONVEYOR	1
45	FEEDER	1
46	WEIGHING SCALE	1
47	CONVEYOR	1
48	FEEDER	1
49	WEIGHING SCALE	1
50	CONVEYOR	1
51	FEEDER	1
52	WEIGHING SCALE	1
53	CONVEYOR	1
54	FEEDER	1
55	WEIGHING SCALE	1
56	CONVEYOR	1
57	FEEDER	1
58	WEIGHING SCALE	1
59	CONVEYOR	1
60	FEEDER	1
61	WEIGHING SCALE	1
62	CONVEYOR	1
63	FEEDER	1
64	WEIGHING SCALE	1
65	CONVEYOR	1
66	FEEDER	1
67	WEIGHING SCALE	1
68	CONVEYOR	1
69	FEEDER	1
70	WEIGHING SCALE	1
71	CONVEYOR	1
72	FEEDER	1
73	WEIGHING SCALE	1
74	CONVEYOR	1
75	FEEDER	1
76	WEIGHING SCALE	1
77	CONVEYOR	1
78	FEEDER	1
79	WEIGHING SCALE	1
80	CONVEYOR	1
81	FEEDER	1
82	WEIGHING SCALE	1
83	CONVEYOR	1
84	FEEDER	1
85	WEIGHING SCALE	1
86	CONVEYOR	1
87	FEEDER	1
88	WEIGHING SCALE	1
89	CONVEYOR	1
90	FEEDER	1
91	WEIGHING SCALE	1
92	CONVEYOR	1
93	FEEDER	1
94	WEIGHING SCALE	1
95	CONVEYOR	1
96	FEEDER	1
97	WEIGHING SCALE	1
98	CONVEYOR	1
99	FEEDER	1
100	WEIGHING SCALE	1

DESIGN SYSTEM

System 1

- Product name : Wheat flour
- Particle Size : 100 micron
- Bulk Density : 670 kg / m³
- Capacity : 6.0 ton/hr
- Total Distance : 30 m
- Total Height : 12 m
- Number of pipe bend : 6 Pcs

System 2

- Product name : Wheat flour
- Particle Size : 100 micron
- Bulk Density : 670 kg / m³
- Capacity : 6.0 ton/hr
- Total Distance : 70 m
- Total Height : 12 m
- Number of pipe bend : 12 Pcs

Scale: 1:100

DATE: 15 NOV 2018

PROJECT: WAN THAI FOOD

DRAWING NO: AS-16WTT-PCS-003

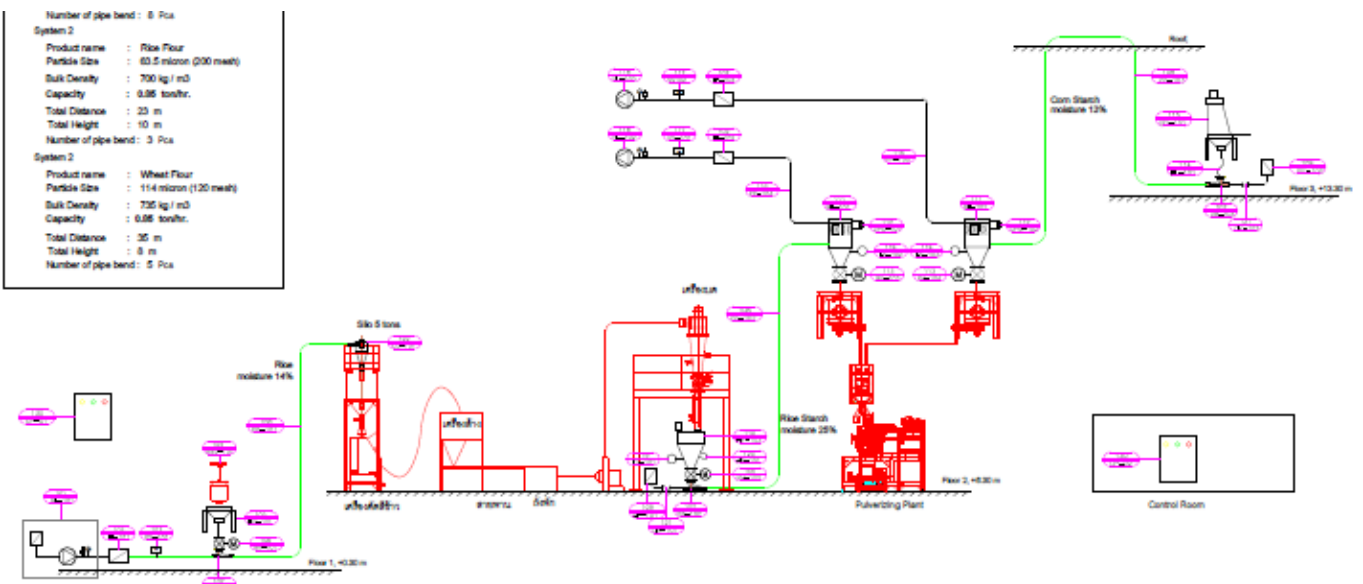
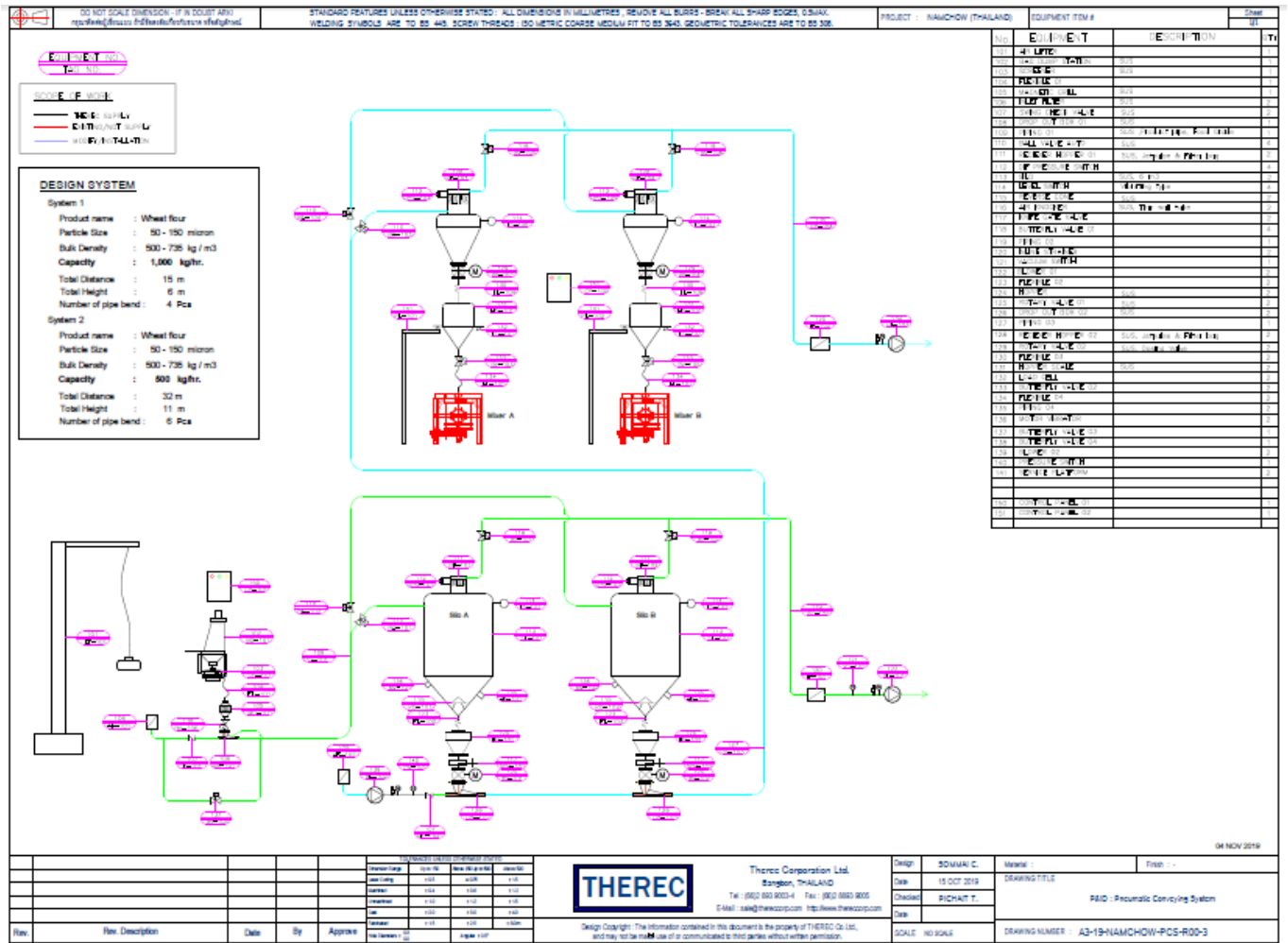
DESIGNER: SOMPHAN C.	CHECKER: PICHIT T.	DATE: 15 NOV 2018	SCALE: 1:100	PROJECT: WAN THAI FOOD	DRAWING NO: AS-16WTT-PCS-003
----------------------	--------------------	-------------------	--------------	------------------------	------------------------------

Picture from the new design line of Wan Thai Food

Wheat Flour Storage Silos feeding system / in & out

Wheat Flour Small Bag Unloading system / into process

Wheat Flour Weighting and Mixing system





Stainless Steel Storage Tank & Silos & Sugar Big bag unloading station



Stainless steel bag filter

Sugar collecting Cyclone



Liquid Storage tank with Agitator

Food & Pharma processing tank

Bag filter & hopper

TRT Factory Co., Ltd.

General TRT brochure 01/2016

บริษัท ที.อาร์.ที. แฟคตอรี จำกัด

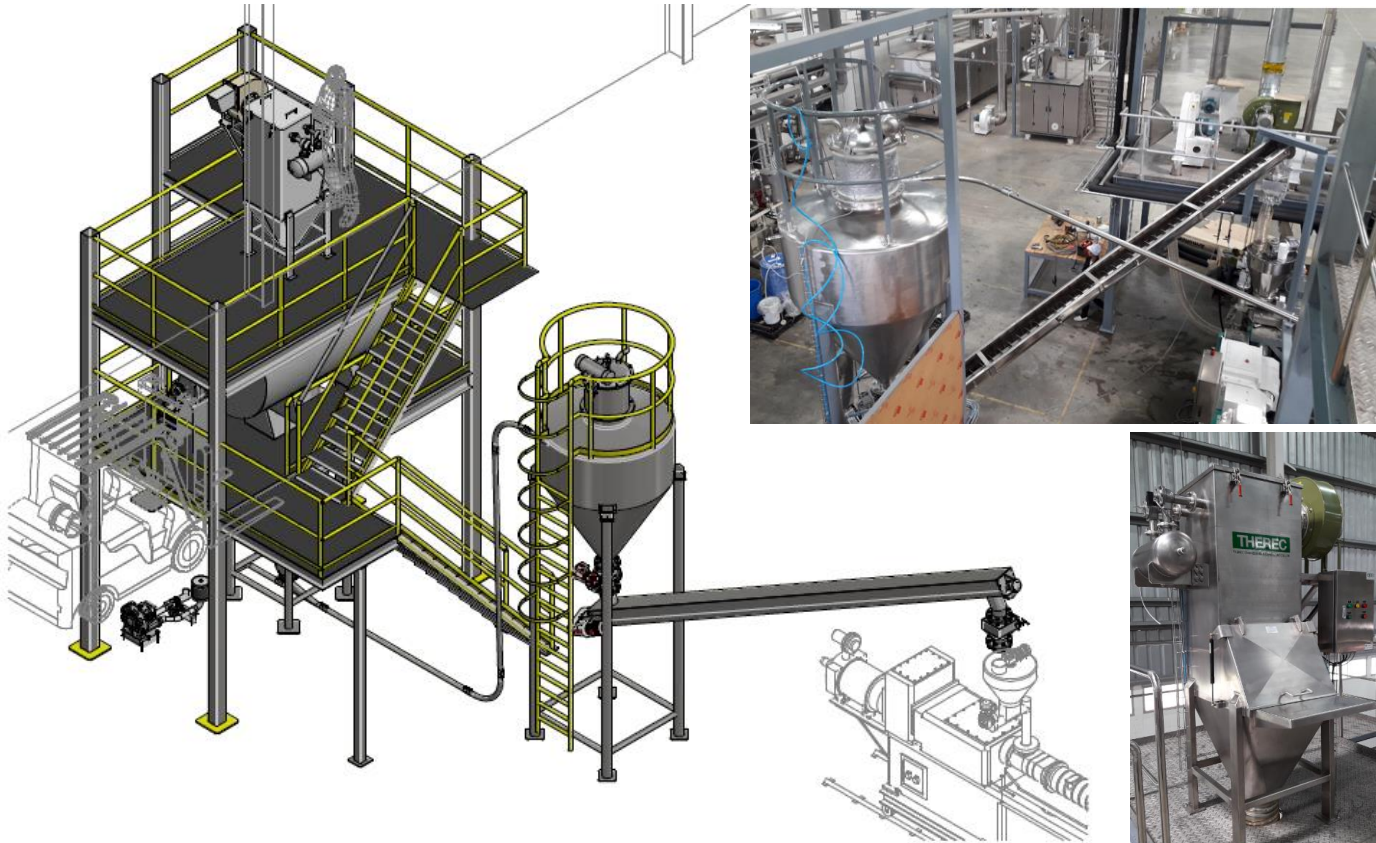
Tel : (662) 156 9156 ,081 6166041

Fax : (662) 156 9157

THEREC
TRT FACTORY CO., LTD.

Head office : 88 Soi Karnjanapisek 4/2. Bangbon Bangkok 10150

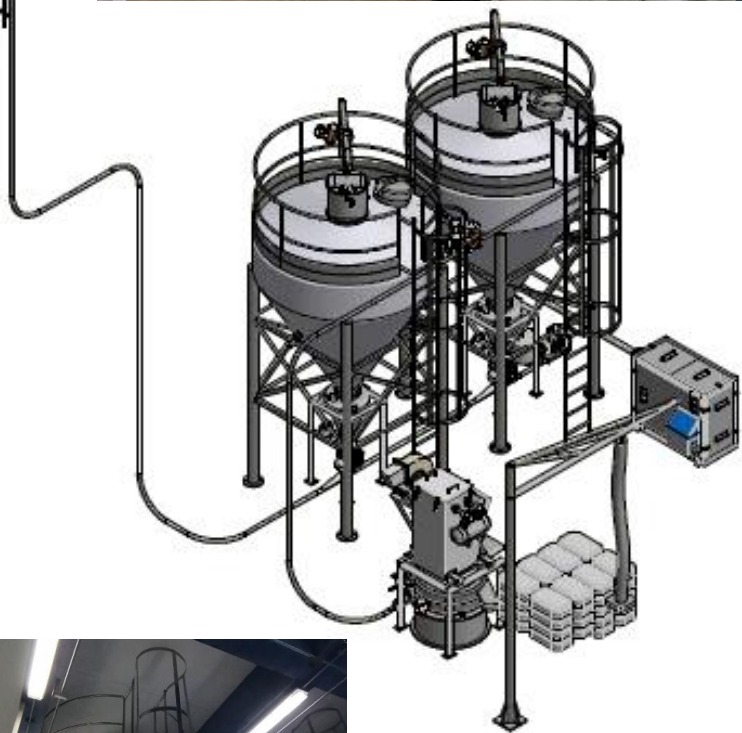
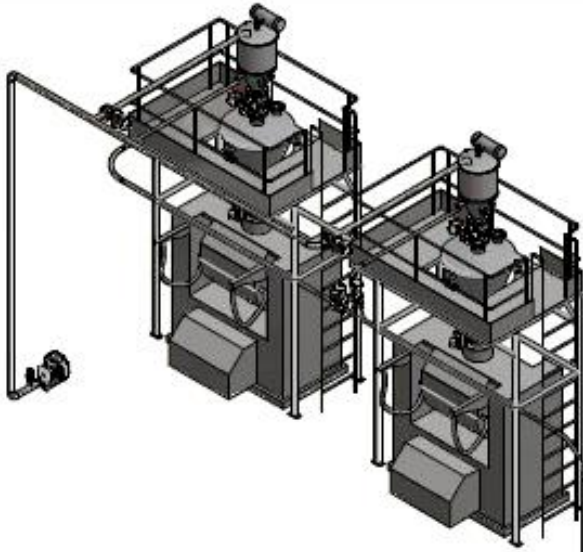
Factory : 16/2 M. 10 Nongpraongi Sainoi Nonthaburi 11150



Wheat Flour loading system small bag to mixer and Mixer to Storage Tank

The total system consisting of :

- 1 of 1.0 tons positive Pneumatic conveying systems
- 1 of Stainless steel tank 4.0 m³
- 1 of Stainless steel Bag filter with jet pulse air cleaning system
- 1 of High pressure Roots blower 3.0 kw / 4.0 hp
- 1 of Heavy duty air lock rotary valves Stainless steel 304



Wheat Flour loading system small bag to silos/ Namchow Group

The total system consisting of :

- 1 of 1.0 tons negative Pneumatic conveying systems
- 2 of Stainless steel tank 6.0 m³
- 1 of Stainless steel Bag filter with jet pulse air cleaning system
- 1 of High pressure Roots blower 4.0 kw / 5.5 hp
- 2 of Heavy duty air lock rotary valves Stainless steel 304

Therec Engineering & Consulting Co., Ltd.



Wheat Flour loading system small bag to silos/ Namchow Group

The total system consisting of :

- 1 of 0.5 tons positive Pneumatic conveying systems
- 2 of Stainless steel receiving hopper 1.0 m3
- 1 of Stainless steel Bag filter with jet pulse air cleaning system
- 2 of High pressure Ring blower 3.0 kw / 4.0 hp
- 2 of Heavy duty air lock rotary valves 6.0" Stainless steel 304
- 1 of Electrical control box, with SEMENS S7 1200 PLC ,
with SCADA system connected to PC



www.thereceng.com

Therec Engineering & Consulting Co., Ltd.



Wheat Flour Bulk Truck Blowers and Piping system/ Laemthong Group

The total system consisting of :

- 16 tons/hr positive Pneumatic conveying systems
- 24 of High pressure Roots blower 37.0 kw / 50.0 hp
- 24 of Additional outlet silencer and safety valve set
- 24 of SUS304 piping system set



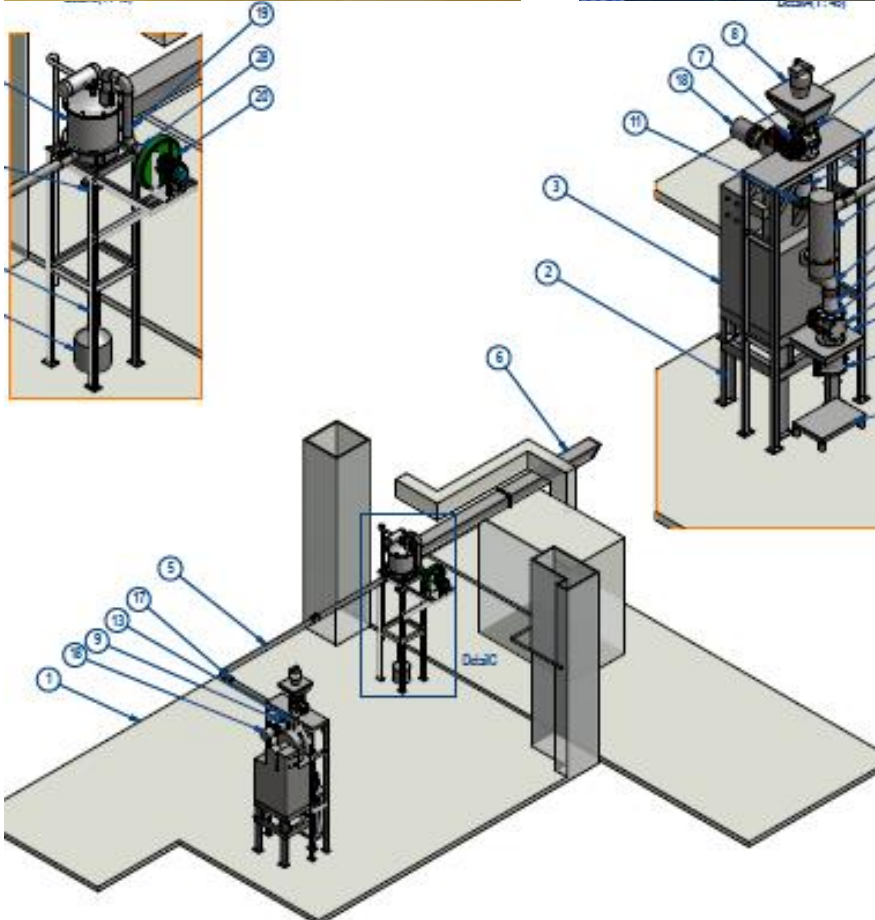
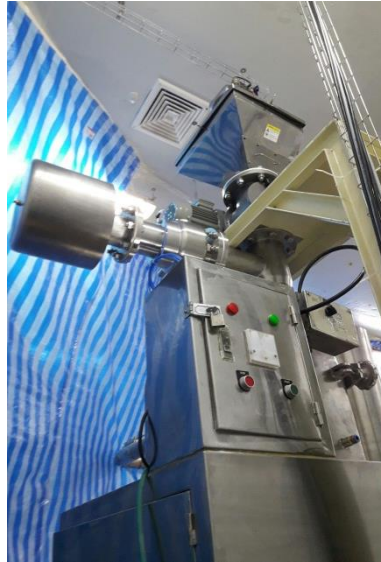
www.thereceng.com

Therec Engineering & Consulting Co., Ltd.

Sugar Grinding system Benjapanpong Co.,Ltd. / A co-packer of Nestle(Thailand)

The total system consisting of :

- 1 of Sugar dust collecting system
- 1 of Atex Isolated valve size 4.0"
- 1 of Stainless steel bag filter with explosive panel
- 2 of Compact easy clean rotary valves Stainless steel 304 ,6.0" with 2 BFM fitting sets
- 1 of Electrical control box, with SEMIENS LOGO PLC



Lump Breaker, Rotary valve, Diverter Valve
Easy clean Screw Conveyor, Small bag dumping Stations

Manufacturing Products



Rotary valve



Diverter valve



Easy clean Screw Conveyor



Lump Breaker



Big Bag Unloading Station

Small Bag Dumping (Tipping) Station

Therec Corporation Ltd. www.thereccorp.com

Tel ☎ (662) 893 9003-4 Fax : (662) 893 9005

88 Soi Karnjanapisek 4/2 Karnjanapisek Rd. Bangbon Bangkok 10150 Thailand

General product TRTT02 / 2016

บริษัท เทอร์เรค คอร์ปอเรชั่น จำกัด

THEREC

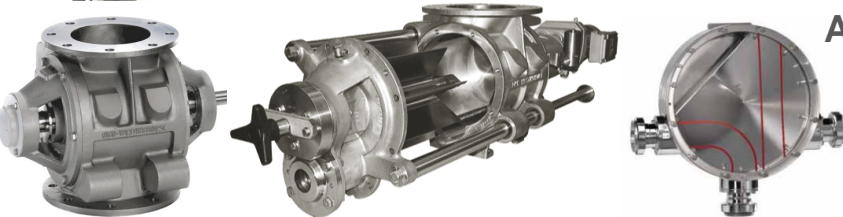
THEREC CORPORATION LTD.

Powder Mixer, Grinder, Sifter & Dryer
 Rotary valve & Diverter Valve, Flexible connector
 Explosive dust protection equipment
 Roots Blower, Ring blower & Vacuum pump

Imported Products



Roots /Truck/ Blower



Air lock Rotary & Diverter valve



Compression & Cam Lock couplings, Side glass



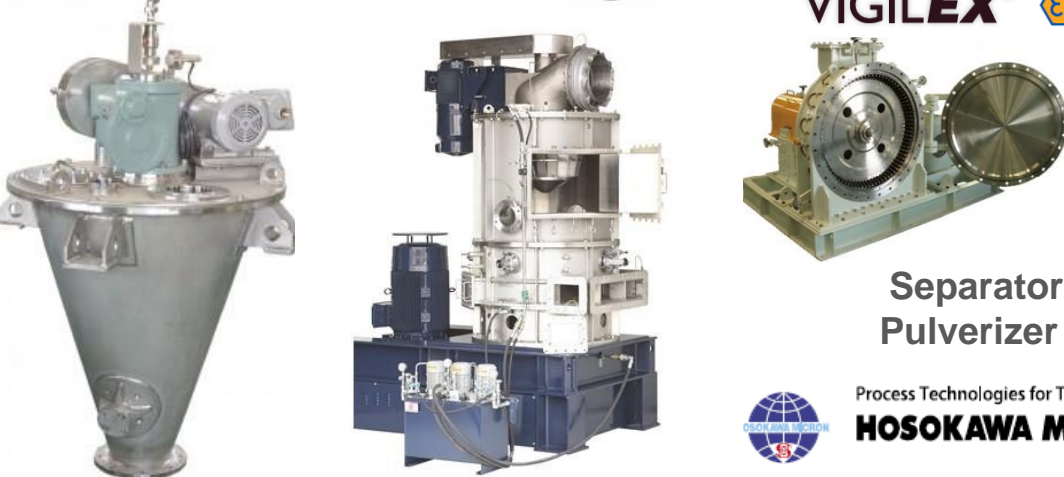
Cipriani Harrison Valves Pvt. Ltd.



Flexible connecting/Flexible hose



Dust explosion protection equipment, Bursting panel & Isolated valve



Separator, Feeder, Mixer, Pulverizer, Grinder, Dryer



Process Technologies for Tomorrow

HOSOKAWA MICRON CORPORATION

Therec Corporation Ltd. www.thereccorp.com

Tel ☎ (662) 893 9003-4 Fax : (662) 893 9005

88 Soi Karnjanapisek 4/2 Karnjanapisek Rd. Bangbon Bangkok 10150 Thailand

General product TRTT02 / 2016



www.thereccorp.com