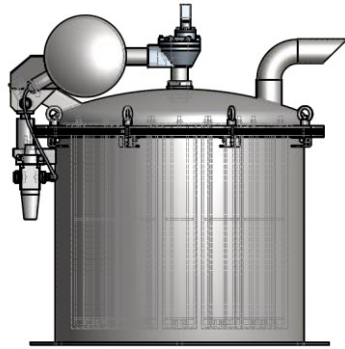
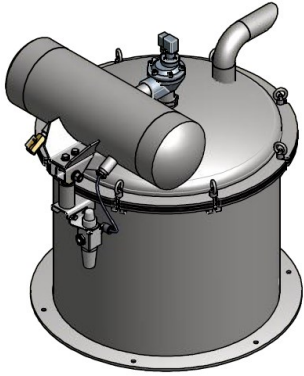
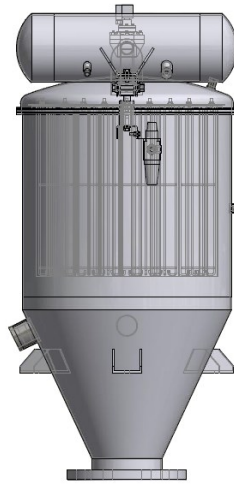
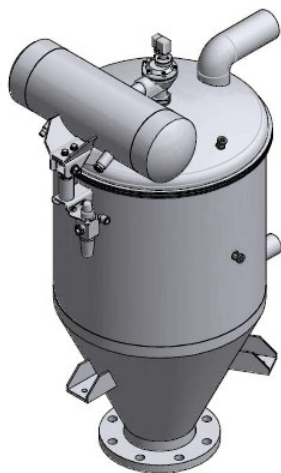
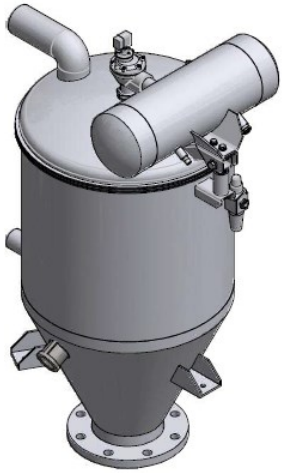


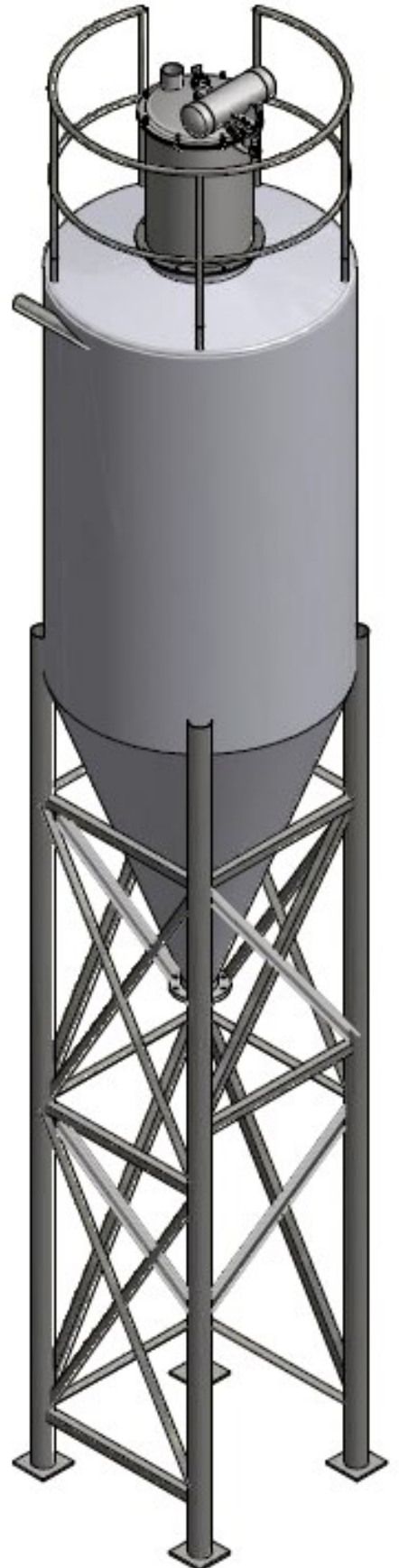
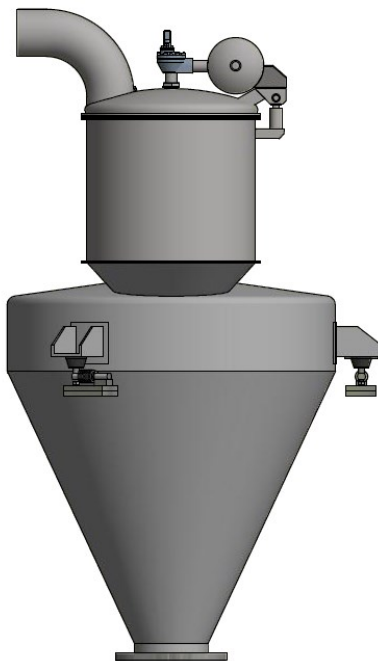
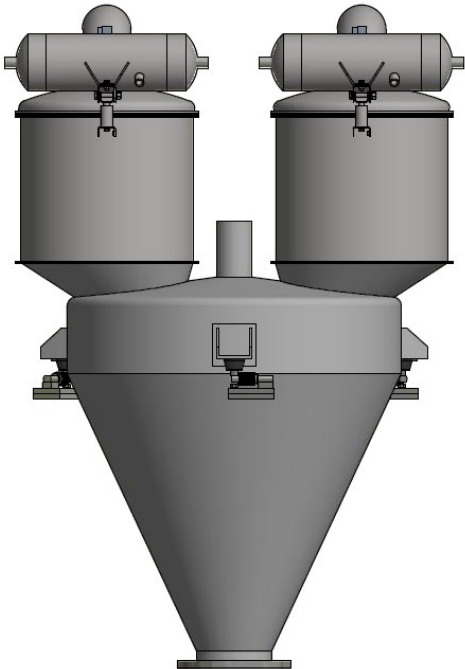
## Easy Clean Food Grade Bag Filter & Receiver



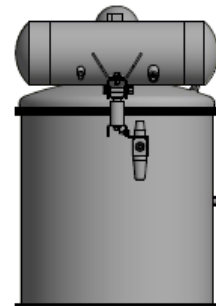
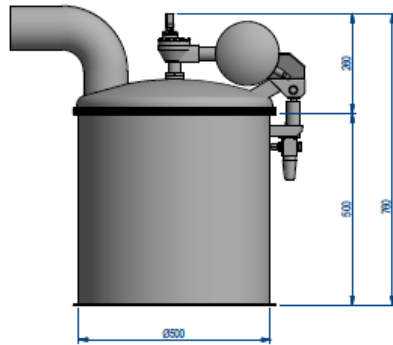
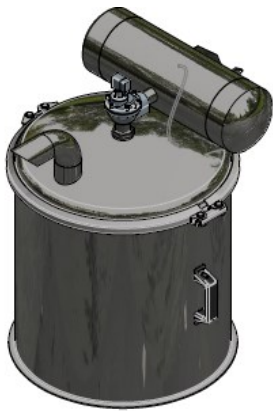
Compact Bag Vent Filter



Compact Bag Receiver



# Standard (Food Grade) Cylindrical Housing Bag filter

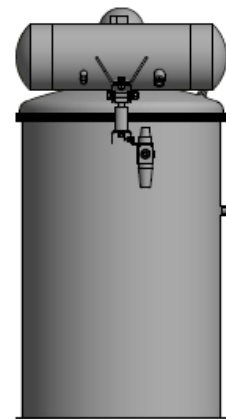
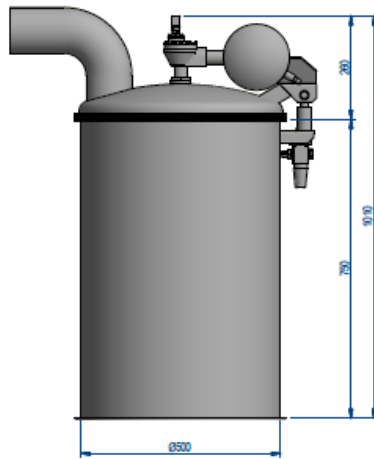


Max Operated  
Diff. Pressure  
+/- 0.7 BarG

**TRC 450 Compact BF**

Filter Bag : Dia 70 mm. x L 450 mm. x 18 Pcs.

Cloth Area : 1.78 m<sup>2</sup> / Jet Pulse : Port 1"

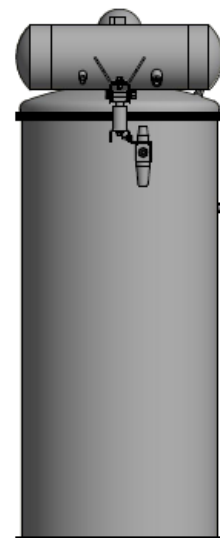
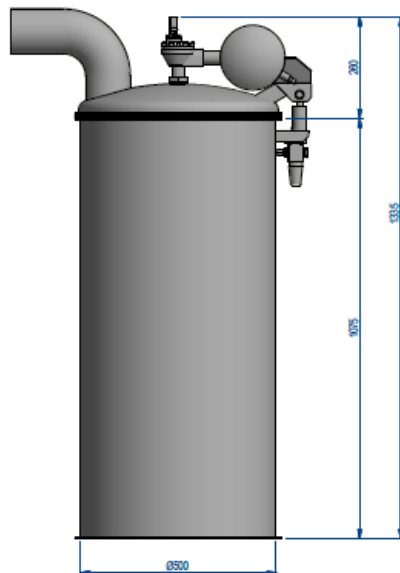


Max Operated  
Diff. Pressure  
+/- 0.6 BarG

**TRC 700 Compact BF**

Filter Bag : Dia 70 mm. x L 700 mm. x 18 Pcs.

Cloth Area : 2.83 m<sup>2</sup> / Jet Pulse : Port 1 1/4"



Max Operated  
Diff. Pressure  
+/- 0.5 BarG

**TRC 1000 Compact BF**

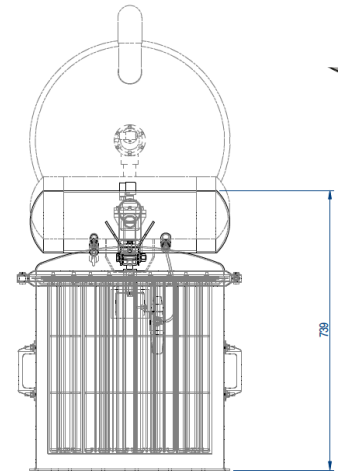
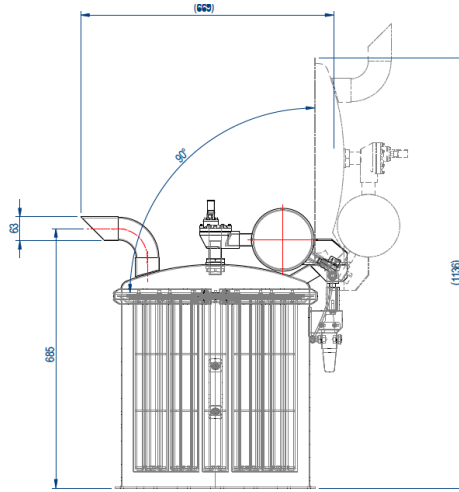
Filter Bag : Dia 70 mm. x L 1000 mm. x 18 Pcs.

Cloth Area : 4.02 m<sup>2</sup> / Jet Pulse : Port 1" (x 2)

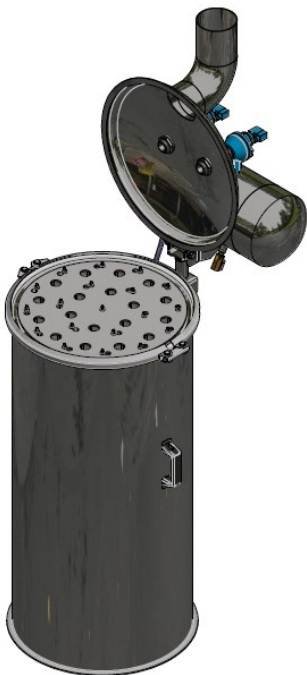
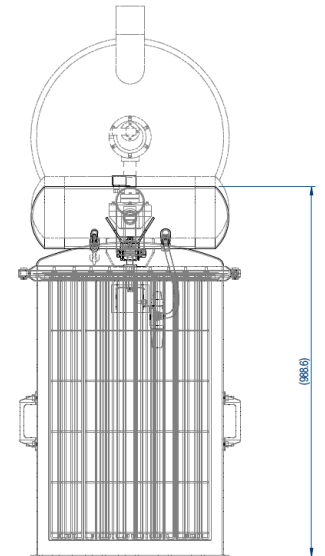
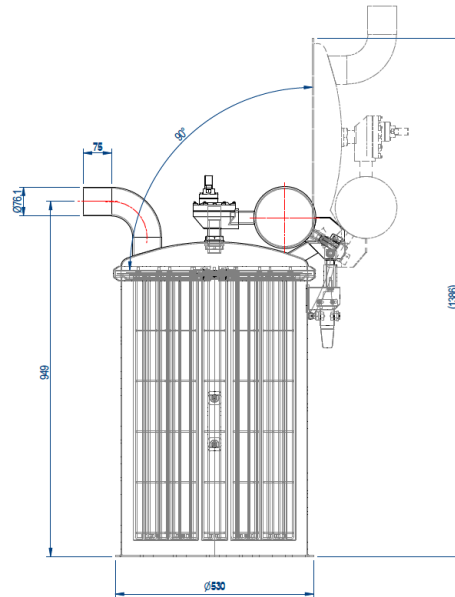
# Standard (Food Grade) Cylindrical Housing Bag filter



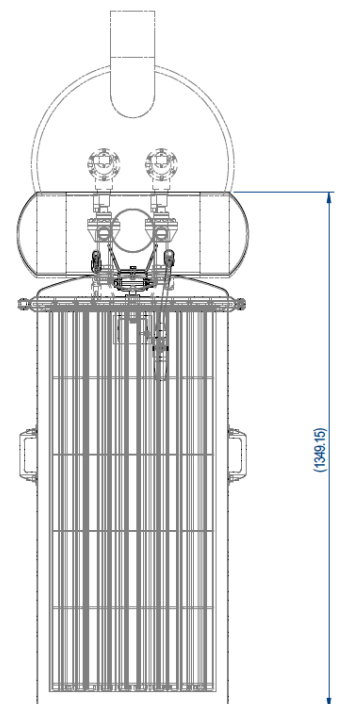
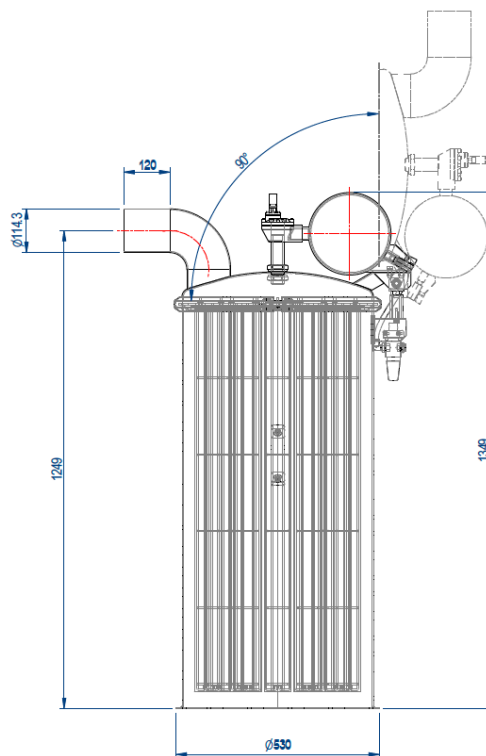
TRC 450 Compact BF



TRC 700 Compact BF

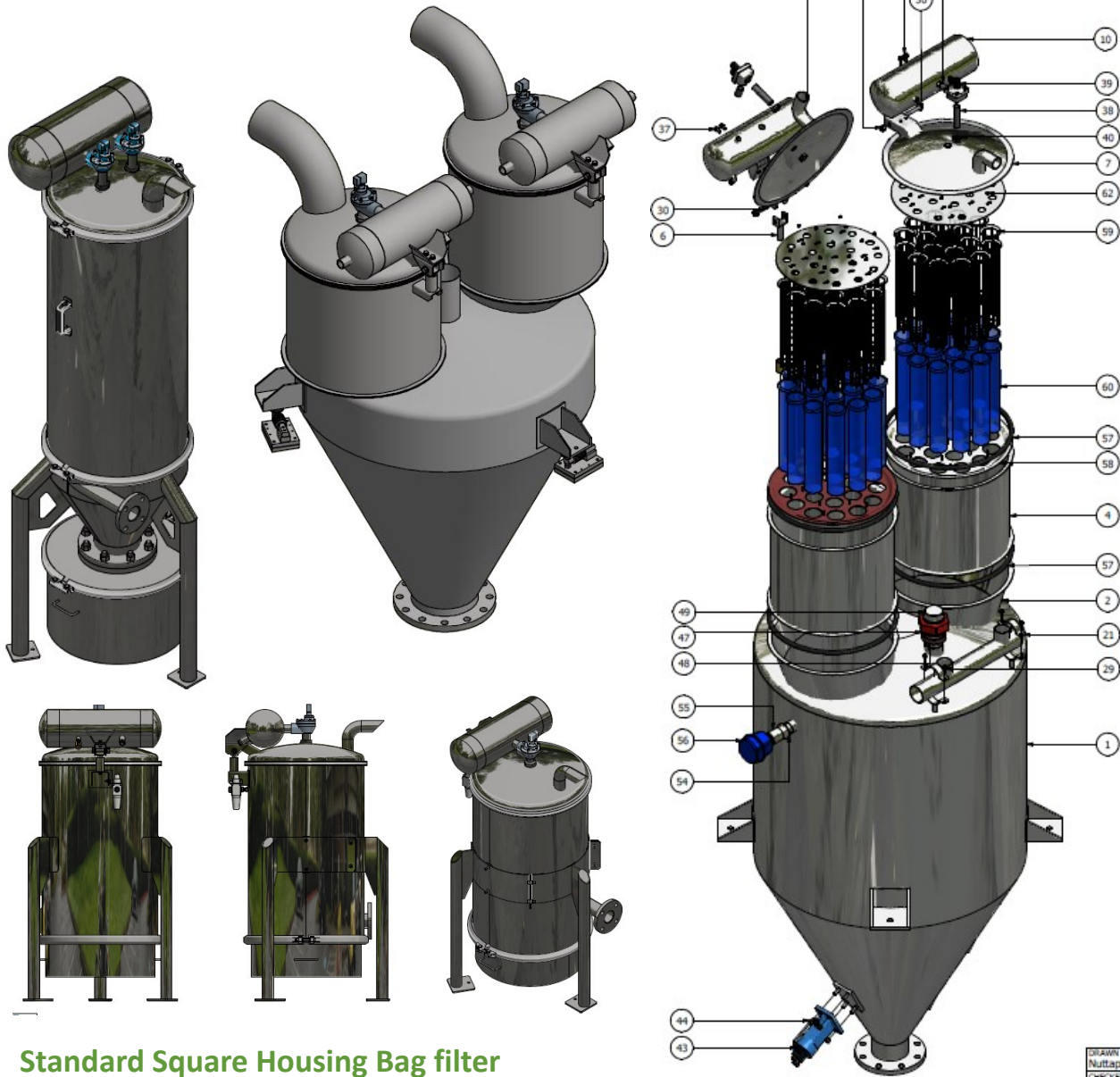


TRC 1000 Compact BF



# BULK MATERIAL PROCESSING MACHINE

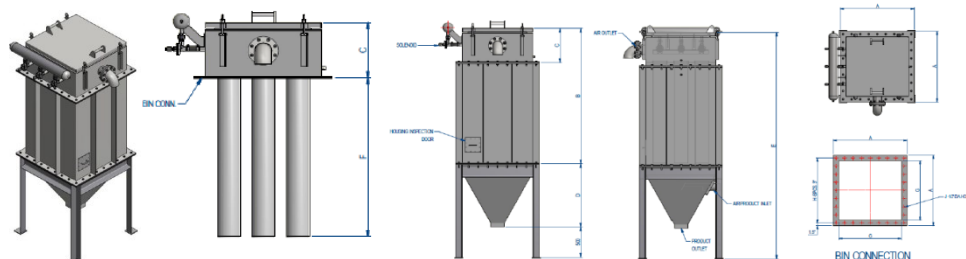
## Standard (Food Grade) Cylindrical Housing Bag filter



## Standard Square Housing Bag filter

### Specifications

MODEL	CLOTH AREA (sq.m)	NO. TOP DOORS	OVERALL DIMENSIONS									COMPRESSED AIR REQUIRED @ 90 PSIG(SCFM)	FILTER APPROX. WT.(kg)	BIN VENT APPROX. WT.(Kg)
			A	B	C	D	E	F	G	H	J			
VM6-9	2	1	0.95	1	0.4	0.75	2.13	0.6	0.8	8	32	2	1.1	-
VM9-9	4	1	0.95	1.3	0.4	0.75	2.43	0.9	0.8	8	32	2	2.2	-
VM12-9	5	1	0.95	1.6	0.4	0.75	2.73	1.2	0.8	8	32	2	2.75	-
VM9-16	7	1	1.2	1.5	0.45	0.8	2.85	0.9	1.04	9	36	3	3.85	-
VM12-16	9	1	1.2	1.7	0.45	0.8	3.05	1.2	1.04	9	36	3	4.95	-
VM15-16	12	1	1.2	2	0.45	0.8	3.35	1.5	1.04	9	36	3	6.6	-
VM18-16	14	1	1.2	2.3	0.45	0.8	3.65	1.8	1.04	9	36	3	7.7	-



บริษัท เทอร์เรค เอ็นจิเนียริง แอนด์ คอนซัลติง จำกัด

**THEREC**

THEREC ENGINEERING & CONSULTING CO.,LTD.

Therec Engineering & Consulting Co, Ltd. [www.thereceng.com](http://www.thereceng.com)

Tel (662) 893 9003-4 (5 lines)

Fax : (662) 893 9005 ,893 9178

DRAWN  
MULTI-SIGNED  
CHECKED