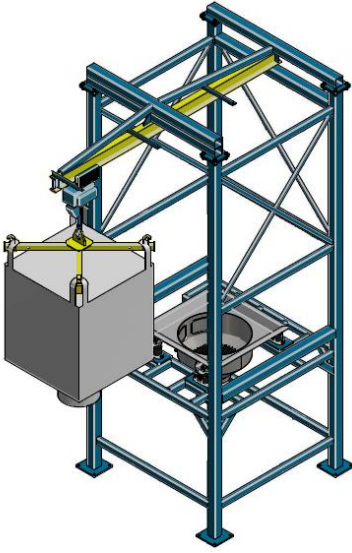
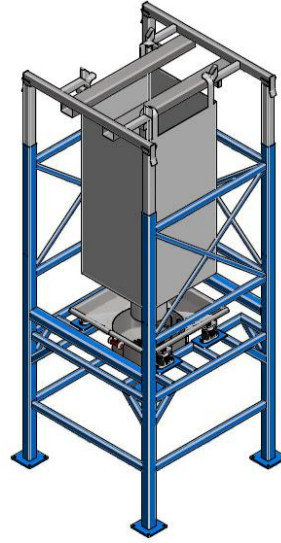
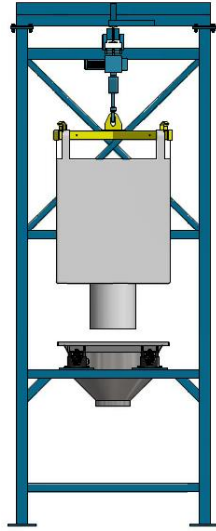


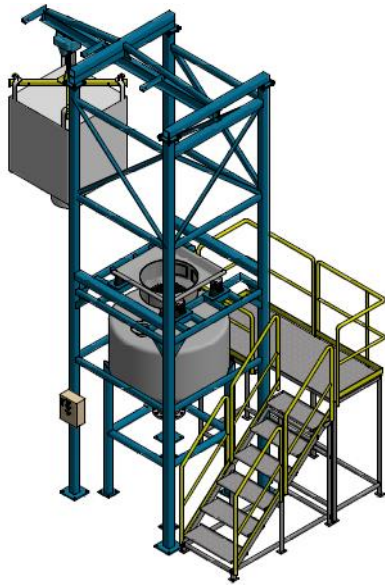
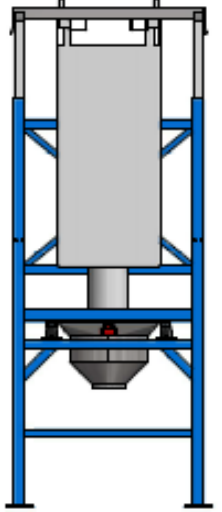
## Dust Free Bulk Materials Bags Unloading Stations



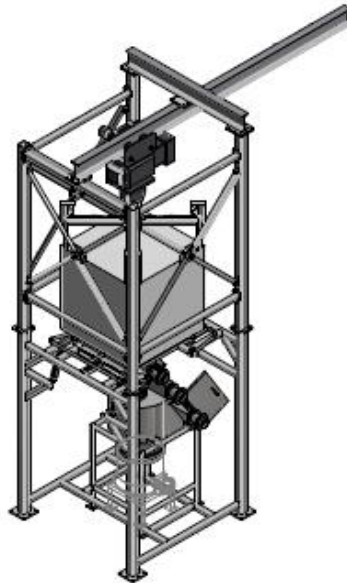
Big Bag Unloading Station / Electrical Hoist



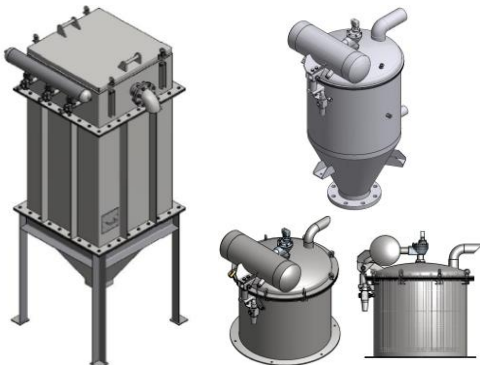
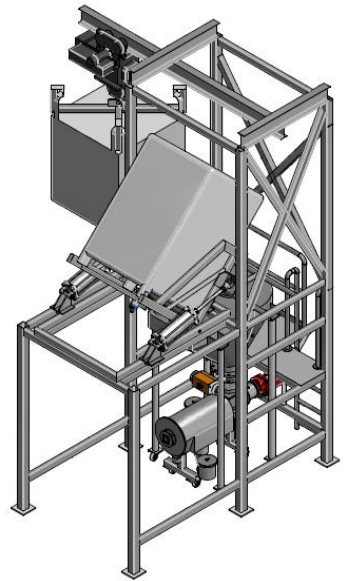
Big Bag Unloading Station / Fork Lift



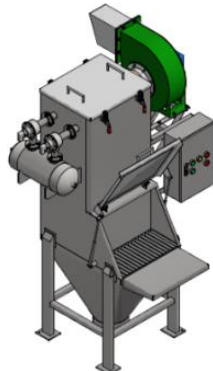
Big Bag Unloading Station with Buffer Tank & Operation Platform



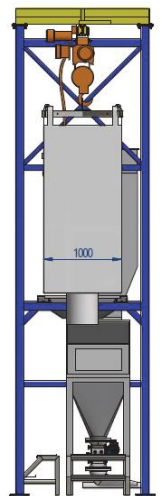
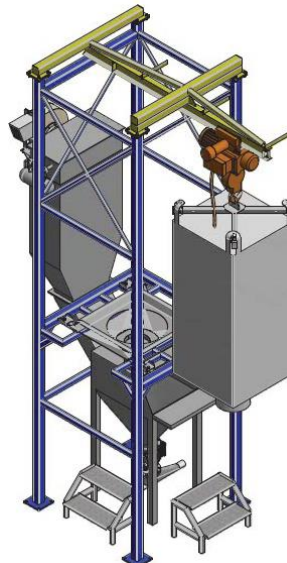
Special Design Big Bag Unloading Station



Dust Control Bag Filter



Bag Dumping Station

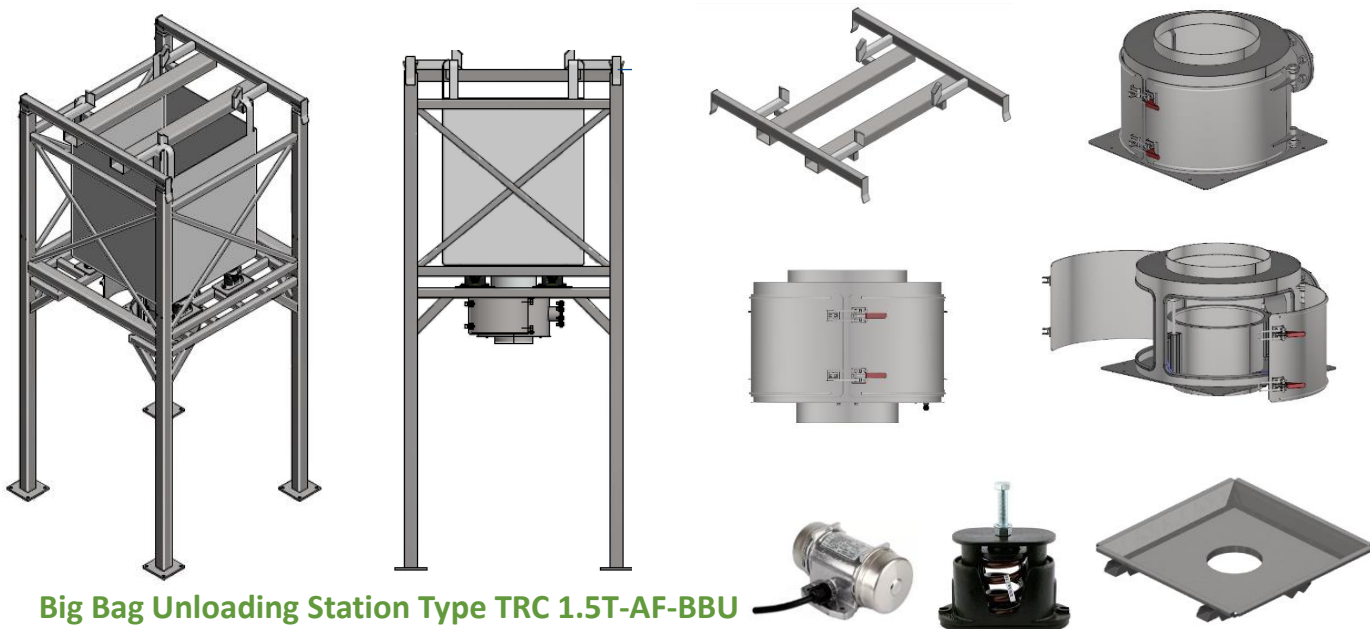


## Big Bag Unlading Station Type A



### Big Bag Unloading Station Type TRC 1.5T-AH-BBU

- Standard normal structure with monorail hoist and bag hanging device , suit with any big bag sizes and non limited height cases
- Big bag normal support base hopper flat to 70 degree angle on the vibration pad with or without vibrator or air knocker and bag opening window
- With full-docking for dust free operation and safety purpose in case of toxic dust
- Iris Valve option for bag changing before 100% emptying



### Big Bag Unloading Station Type TRC 1.5T-AF-BBU

- Low loadings structure with integrated balancing spring and fork lift holder , for limited height cases for fork lift (or for the building traveling crane)
- Big bag 45 to 70 degree support base with support spring & vibrating motor

## Big Bag Unlading Station Type B



## Big Bag Unlading Station Type TRC 1.5T-BH-BBU

- Standard normal structure with monorail hoist and bag hanging device , suit with any big bag sizes and non limited height cases
- Big bag normal support base hopper flat to 70 degree angle on the vibration pad with or without vibrator or air knocker and bag opening window
- With semi-docking for dust reduction operation and environmental friendly
- Iris Valve option for bag changing before 100% emptying



## Big Bag Unlading Station Type TRC 1.5T-BF-BBU

- Low loadings structure with integrated balancing spring and fork lift holder , for limited height cases for fork lift (or for the building traveling crane)
- Big bag 45 to 70 degree support base with support spring & vibrating motor

# Standard Design Big Bag Unlading Station



## Big Bag Unloading Station Type TRC 1.5T-XH-BBU



## Big Bag Unloading Station Type TRC 1.5T-XF-BBU

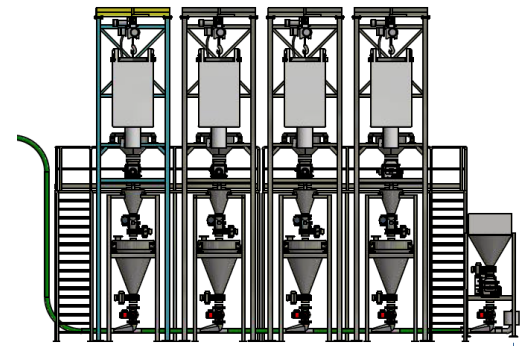
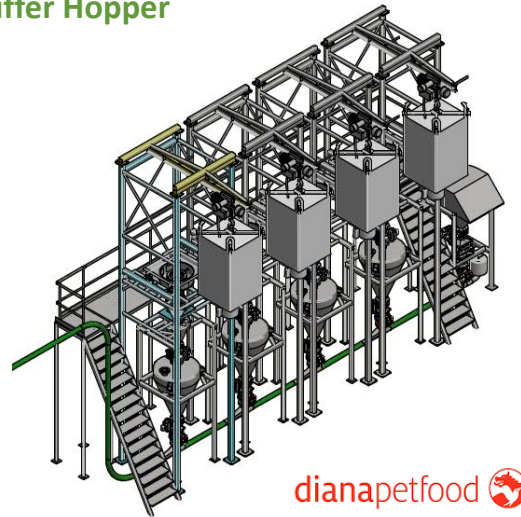


Full Docking Option for 99.9% Dust free Operation

# Standard Design Big Bag Unlading Station



## Big Bag Unloading Station Type TRC 1.5T-BH-BBU / with Buffer Hopper



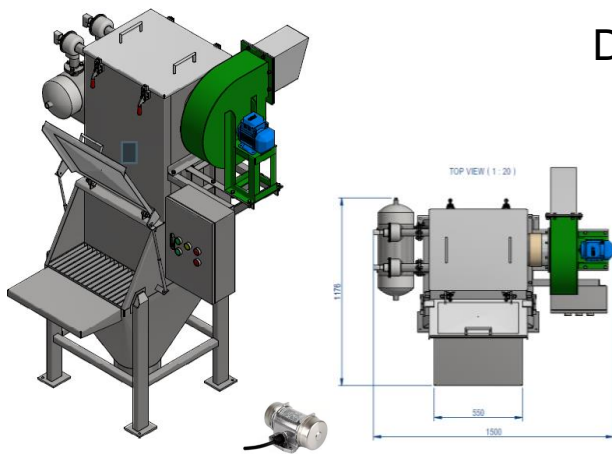
## Big Bag Unloading Station Type TRC 1.5T-BH-BBU / with Lump Breaker & Weighting System



Base Hopper with Semi-Docking Option for Safe & Clean Operation

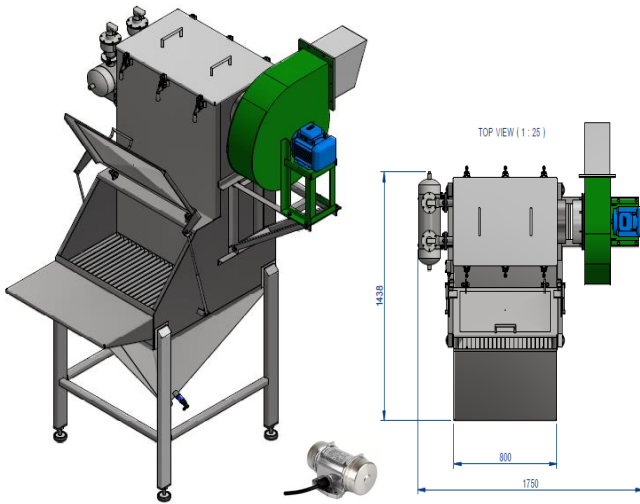
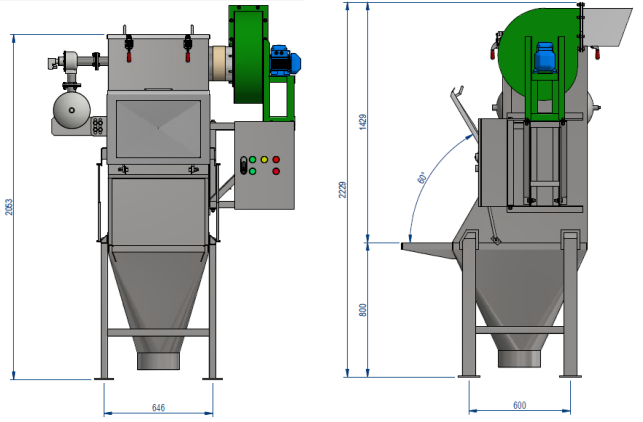
[www.thereceng.com](http://www.thereceng.com)

# Dust Free Small Bag Unlading Station



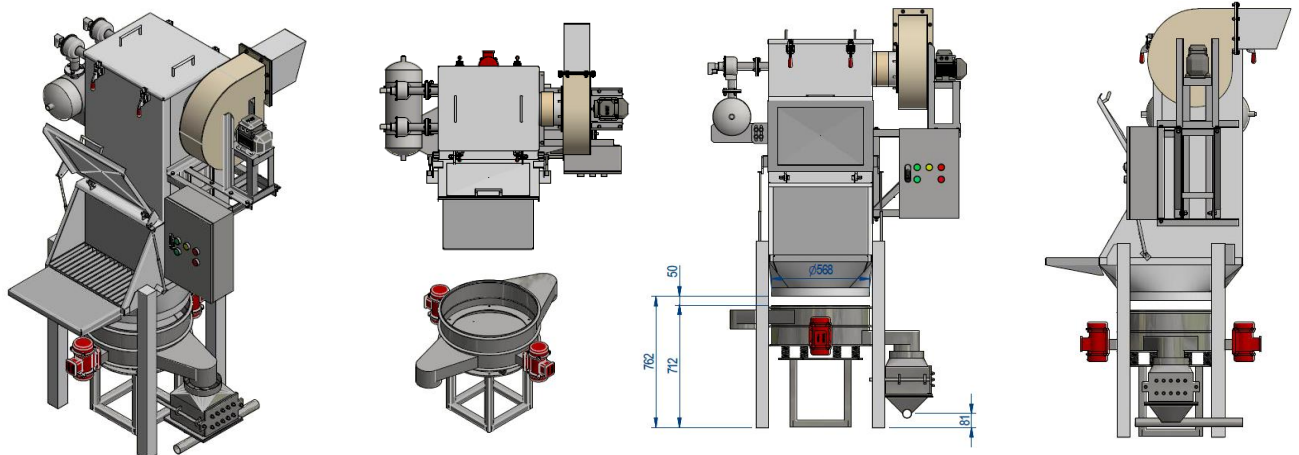
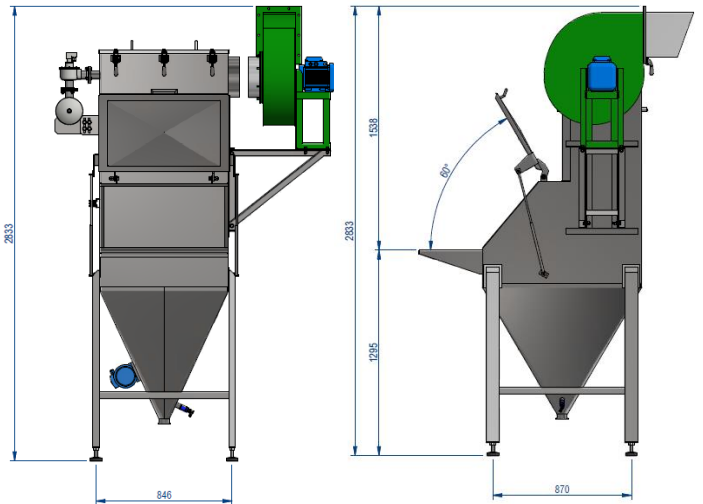
**Small Bag Unloading Station Type TRC 550-120 L**

- Standard normal structure with 550 mm width bag dumping opening, suit with 25 kg bag
- 120 liter storage volume ,on pyramid shape buffer hopper, with very steep cone angle of 70 degree
- With, Dust control bag filter set / Automatic jet pulse air cleaning system / Large air tank and Over size centrifugal dust collecting blower to ensure the best pollution control efficiency
- Stainless steel motor vibrator to ensure the emptying of the buffer hopper



**Small Bag Unloading Station Type TRC 800-300L**

- Standard normal structure with 800 mm width bag dumping opening, suit with 50 kg bag, 300 liter volume



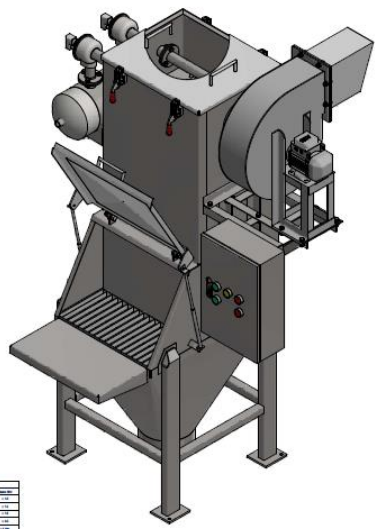
**Small Bag Unloading Station Type TRC 550 / Special Arrangement**

- Standard normal structure with 550 mm with Vibration screen, Magnetic separator & Damper valve

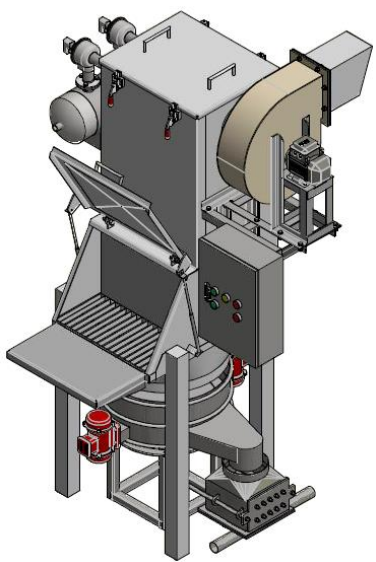
# Special Design Small Bag Unloading Station



fitesa



TRC 550 – 120 L / Small Bag Unloading Station



NAMCHOW (THAILAND) LTD.

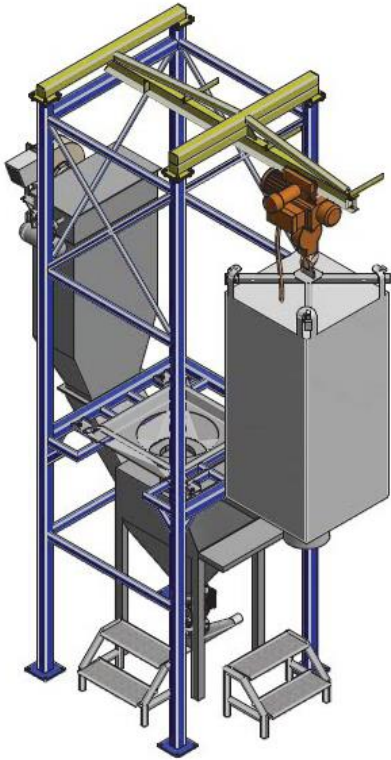


TRC 550 / Special Arrangement  
Small Bag Unloading Station

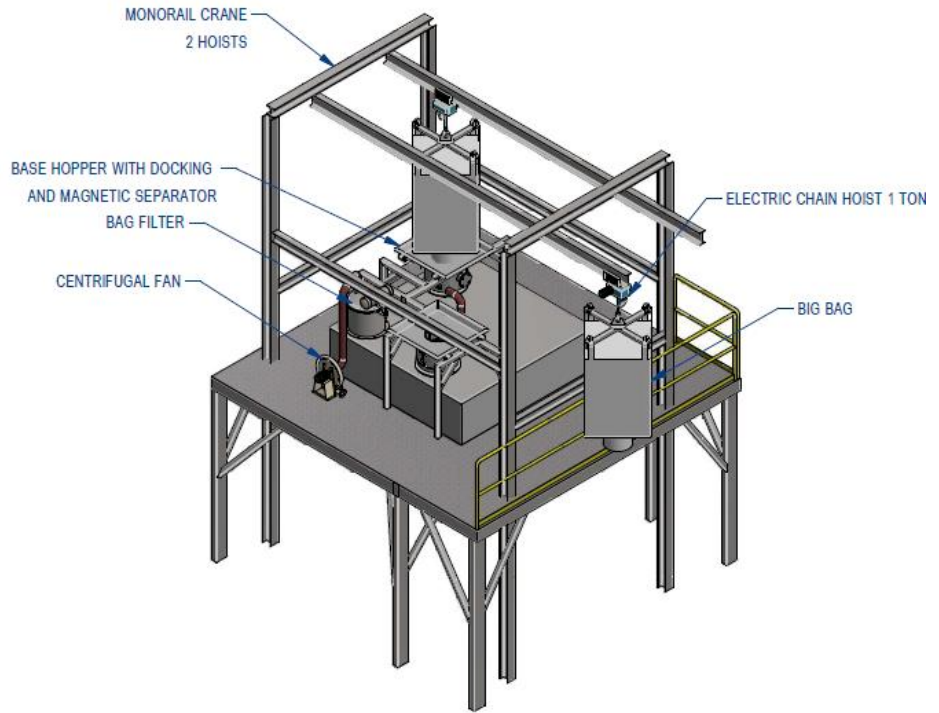
Many more option on request



# Special Design Bulk Material Bag Unloading Station



**Special Design / Monorail Hoist  
Big Bag & Small Bag Unloading  
Station**



**Special Design / Monorail Hoist  
Big Bag Unloading Station / Installed onto the normal opened hopper  
With Food grade Compact Bag filter set for Dust Free Operation**



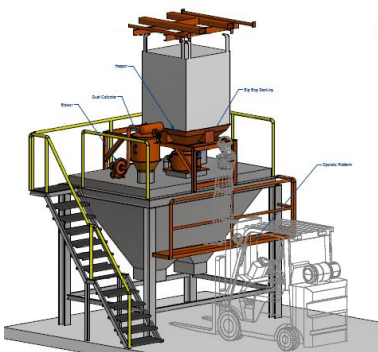
**Special Design / Fork Lift  
Big Bag Repacking Station**



**Special Design / Fork Lift  
Big Bag Unloading Station**



**Special Design / Monorail Hoist  
Big Bag Unloading Station**



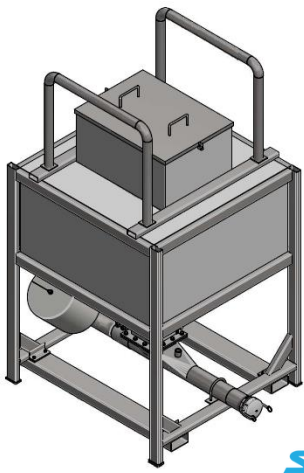
**Special Design / Fork Lift  
Big Bag Unloading Station / Installed onto the normal opened hopper  
With Food grade Compact Bag filter set for Dust Free Operation**

**Many more option on request**

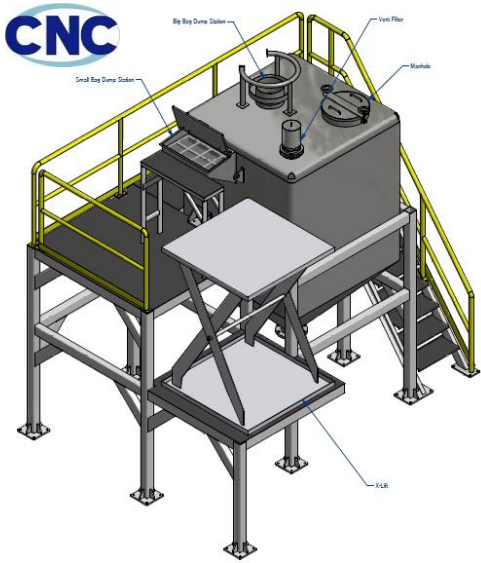




# Special Design Bulk Material Bag Unloading Station



Special Design / Fork Lift  
Big Bag & Small Bag Unloading Station



Special Design / Factory Crane  
Big Bag & Small Bag Unloading Station



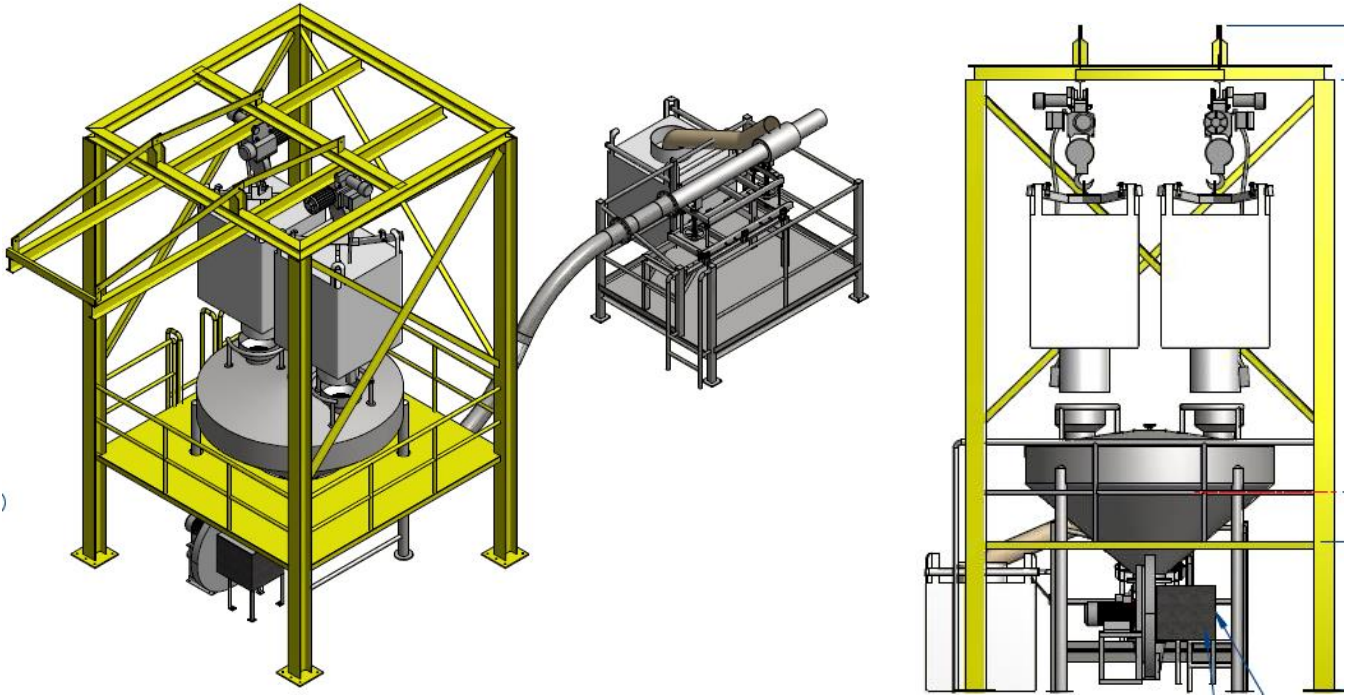
Special Design / Monorail Hoist  
Big Bag & Tote Bin Unloading Station



Many more option on request



# Bulk Bag Unloading Station for Bulk Container and Bulk Truck Loading



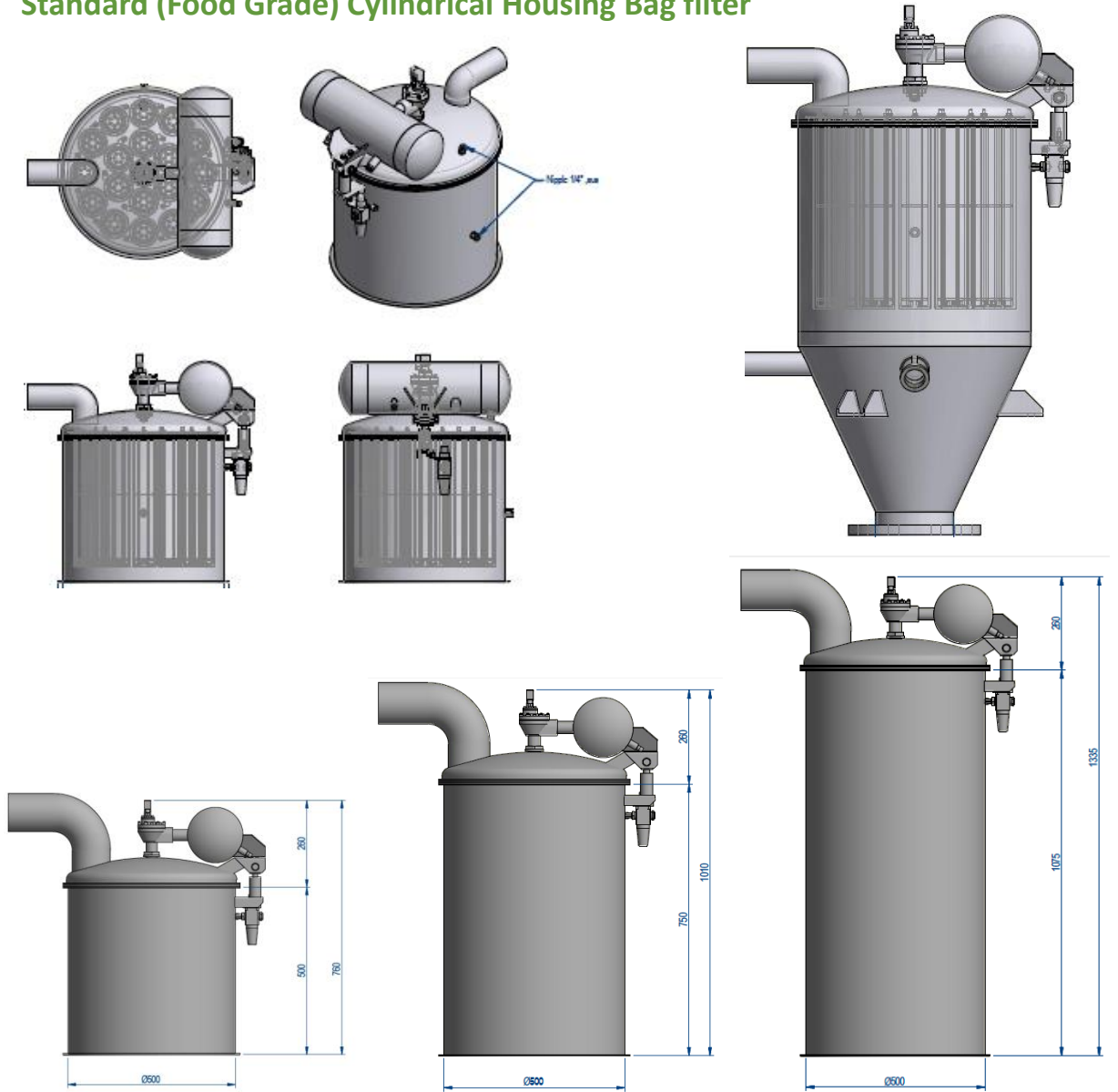
High Capacity Design for Unloading of 27 bags / hr



Special Design / with 2 Monorail Hoist and Extra large buffer hopper of 4,000 liter

# BULK MATERIAL PROCESSING MACHINE

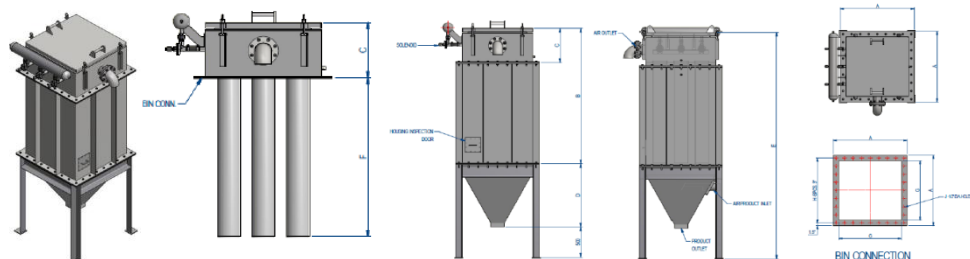
## Standard (Food Grade) Cylindrical Housing Bag filter



## Standard Square Housing Bag filter

### Specifications

MODEL	CLOTH AREA (sq.m)	NO. TOP DOORS	OVERALL DIMENSIONS										COMPRESSED AIR REQUIRED @ 90 PSIG(SCFM)	FILTER APPROX. WT.(kg)	BIN VENT APPROX. WT.(kg)
			A	B	C	D	E	F	G	H	J				
VM6-9	2	1	0.95	1	0.4	0.75	2.13	0.6	0.8	8	32	2	1.1	-	
VM9-9	4	1	0.95	1.3	0.4	0.75	2.43	0.9	0.8	8	32	2	2.2	-	
VM12-9	5	1	0.95	1.6	0.4	0.75	2.73	1.2	0.8	8	32	2	2.75	-	
VM9-16	7	1	1.2	1.5	0.45	0.8	2.85	0.9	1.04	9	36	3	3.85	-	
VM12-16	9	1	1.2	1.7	0.45	0.8	3.05	1.2	1.04	9	36	3	4.95	-	
VM15-16	12	1	1.2	2	0.45	0.8	3.35	1.5	1.04	9	36	3	6.6	-	
VM18-16	14	1	1.2	2.3	0.45	0.8	3.65	1.8	1.04	9	36	3	7.7	-	



บริษัท เทอร์เรค เอ็นจิเนียริง แอนด์ คอนซัลติง จำกัด

**THEREC**

THEREC ENGINEERING & CONSULTING CO.,LTD.

Therec Engineering & Consulting Co, Ltd. [www.thereceng.com](http://www.thereceng.com)

Tel (662) 893 9003-4 (5 lines)

Fax : (662) 893 9005 ,893 9178